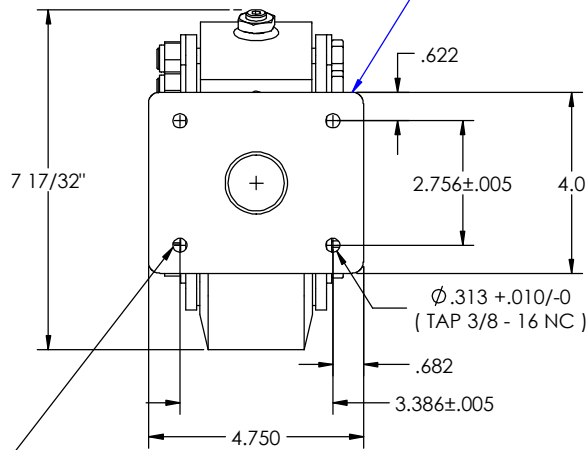
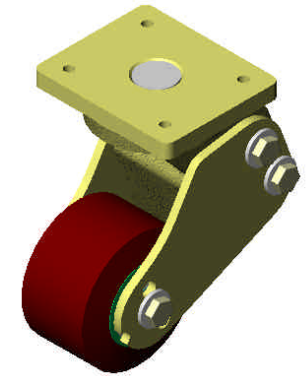
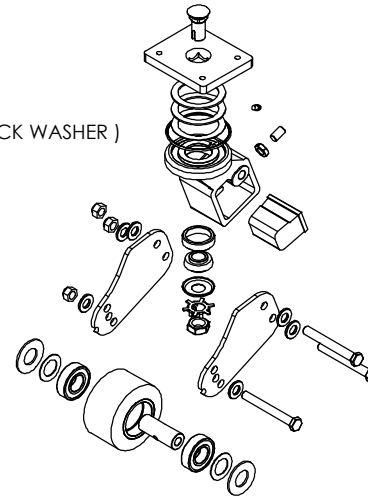
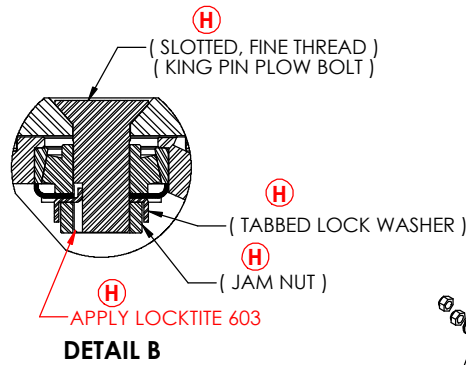


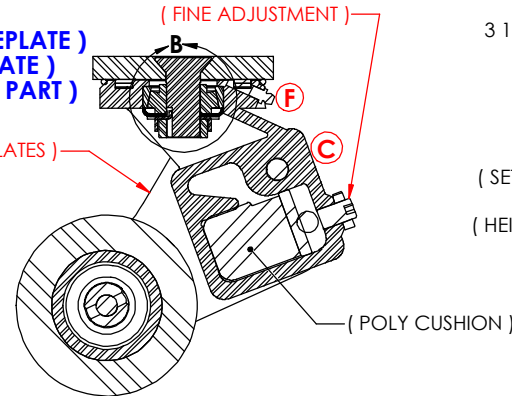
**(STR2000-2BL MOUNTING PLATE)**



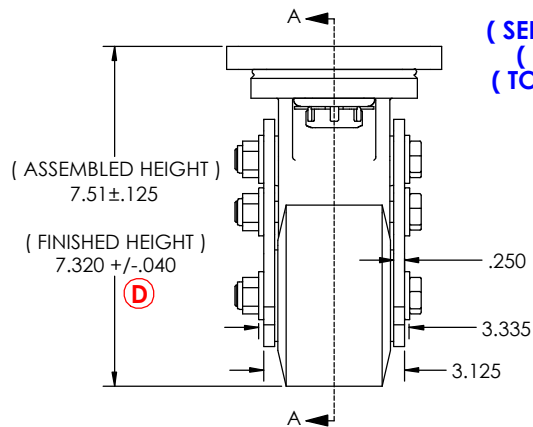
( 4 ) - PLACES DRILL .312 +.010/-0 DIA. HOLES AS SHOWN.  
( TAP 3/8" - 16 UNC. THRU HOLES )



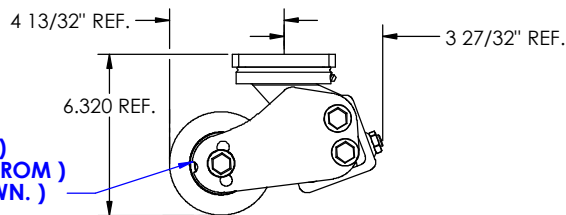
**( 20mm LONG SET SCREW FOR )  
( ALL "BL" CASTER ASSEMBLIES )  
( ITEM # 94mb1215020-1 )**



**( SEE STR2000-1BL SIDEPLATE )  
( FULL SCALE TEMPLATE )  
( TO VERIFY CORRECT PART )**

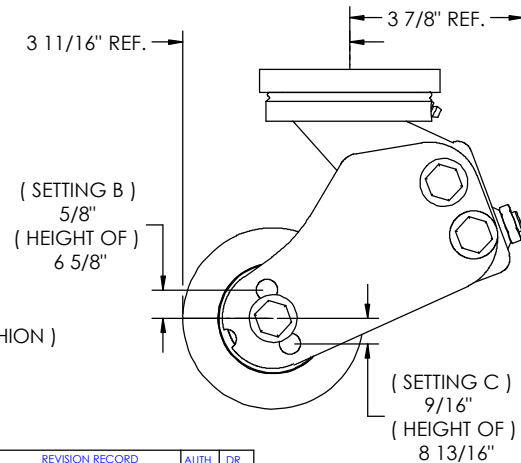


( DEFLECTED TO DEAD STOP )



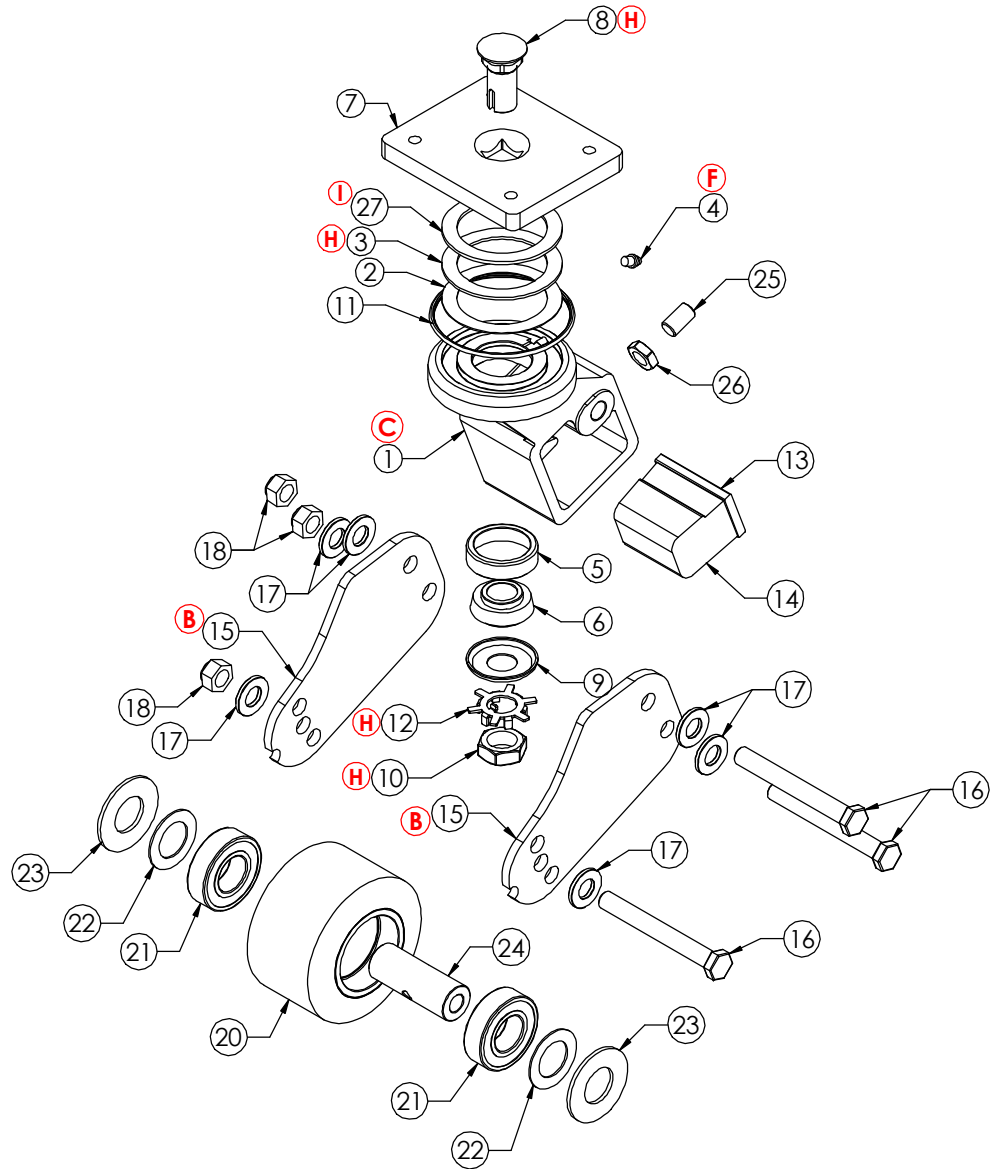
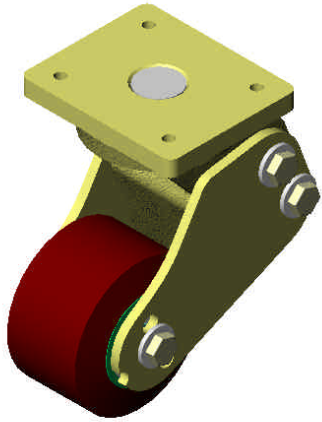
**( NOTE: LOCATION OF KNOTCH )  
( ON STR2000-1BL IS DIFFERENT FROM )  
( STR2000-1 SIDE PLATE AS SHOWN. )**

( TURNING RADIUS )



DATE	SYM.	REVISION RECORD	AUTH.	DR.
06-24-03	A	RELEASE DATE	T.P.	J.S.
02-27-04	B	CHANGED SIDEPLATE PROFILE TO DEADSTOP AT 1" DEFLECTION	L.J.	J.S.
06-15-04	C	CHANGED FROM WELDED TO CAST HOUSING	H.L.	J.S.
06-15-04	D	ADDED FINISHED HEIGHT 7.320 +/- .040	H.L.	J.S.
11-02-04	E	CHANGED ITEM NUMBER from STR02001BL to STR02000BL	L.J.	J.S.
05-20-05	F	CHANGED ZERK LOCATION from FRONT to BACK OF HOUSING	H.L.	J.S.
06-07-06	G	CHANGED TO FINE THREAD, DRILLED KING BOLT, SLOTTED NUT & ROLL PIN	H.L.	J.S.
06-22-10	H	CHANGED TO SLOTTED PLOW BOLT, JAM NUT & TABBED LOCK WASHER	S.B.	P.D.
"	"	REVISED THE THRUST ROLLER BEARING TO AN OILITE THRUST BEARING	"	"
04-18-11	I	REVISED TOP THRUST WASHER THICKNESS FROM .032" TO .092"	T.R.	P.D.

CAL. WT. 15.7 LBS.



ITEM NO.	QTY.	FILE NUMBER & DESCRIPTION
1	1	STR2000-13 CAST HOUSING Rev D
2	① 1	94btwo3648 WASHER
3	1	94b2250 OILITE_THRUST
4	1	94znissan ZERK
5	1	94blm11910-tim CUP
6	1	94blm11949 CONE
7	1	STR2000-2BL - MOUNT PLATE
8	1	94807516175pbslt SLOTTED PLOW_BOLT
9	1	94blm11910cap BEARING CAP
10	1	94n2075016jh JAM NUT
11	1	94s2-237 O-RING
12	1	94w00750tblw TABBED LOCK WASHER
13	1	9400250-015 FLATBAR
14	1	STR2000-9 POLY CENTER
15	2	STR2000-1BL SIDEPLATE
16	3	94mb12175100-1 FULL SHOULDER
17	6	94w2026 1-2in WASHER
18	3	94mn12175nLhn NYLOCK NUT
19	1	SP-0956_HUB
20	1	SP-0956_TIRE
21	2	94b6205-2rs BEARING
22	2	94wstr2000-8 SPACER WASHER
23	2	94wSTRING GUARD
24	1	STR2000-5 BUSHING
25	1	94mb12125020-1 SET SCREW
26	1	94mn12125jhn JAM NUT
27	1	94btwc3648 WASHER ①

CAL. WT. 15.7 LBS.