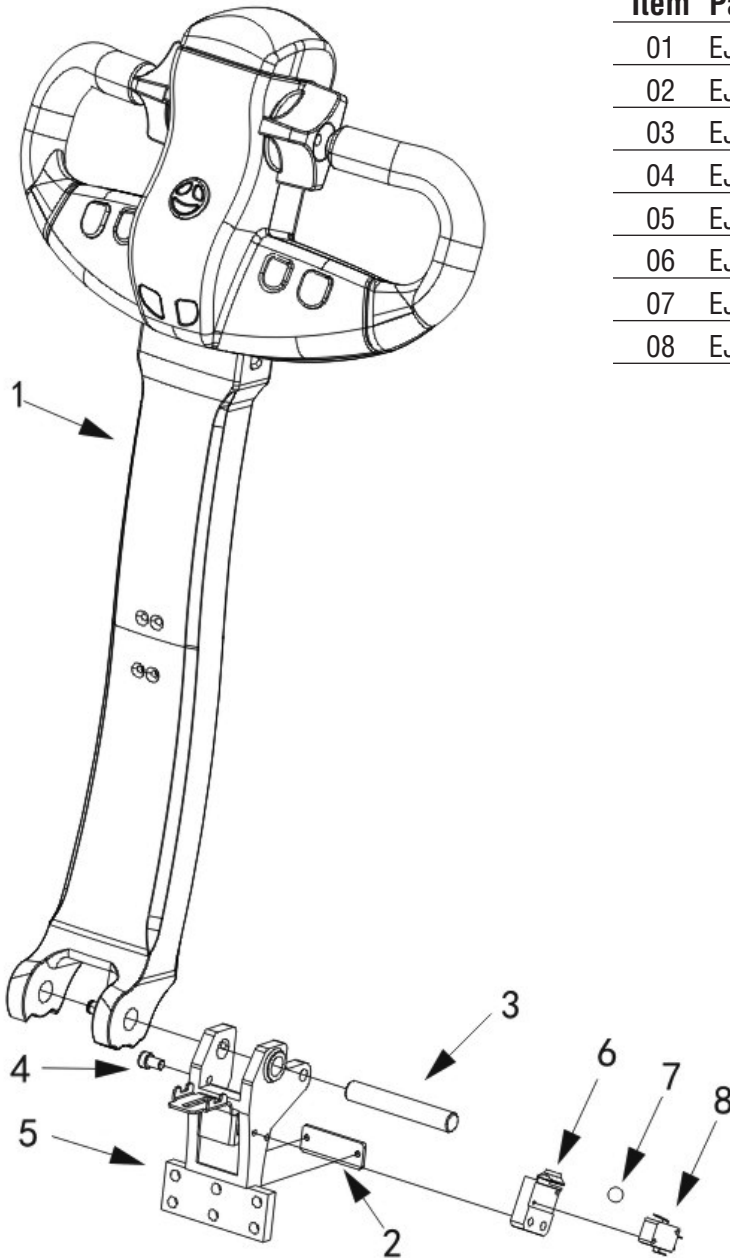


EJP-3300 Replacement Parts Listing

STEERING CONTROL SYSTEM

Item	Part#	Description	Qty
01	EJP-1700500002	Handle Assembly	1
02	EJP-1700535001	Plate	1
03	EJP-1700513003	Pin Shaft	1
04	EJP-1700531002	Screw	1
05	EJP-1700502001	Handle Socket	1
06	EJP-1700402001	Pin Shaft	1
07	EJP-1700504001	Steel Ball	1
08	EJP-2000507004	Inching	1



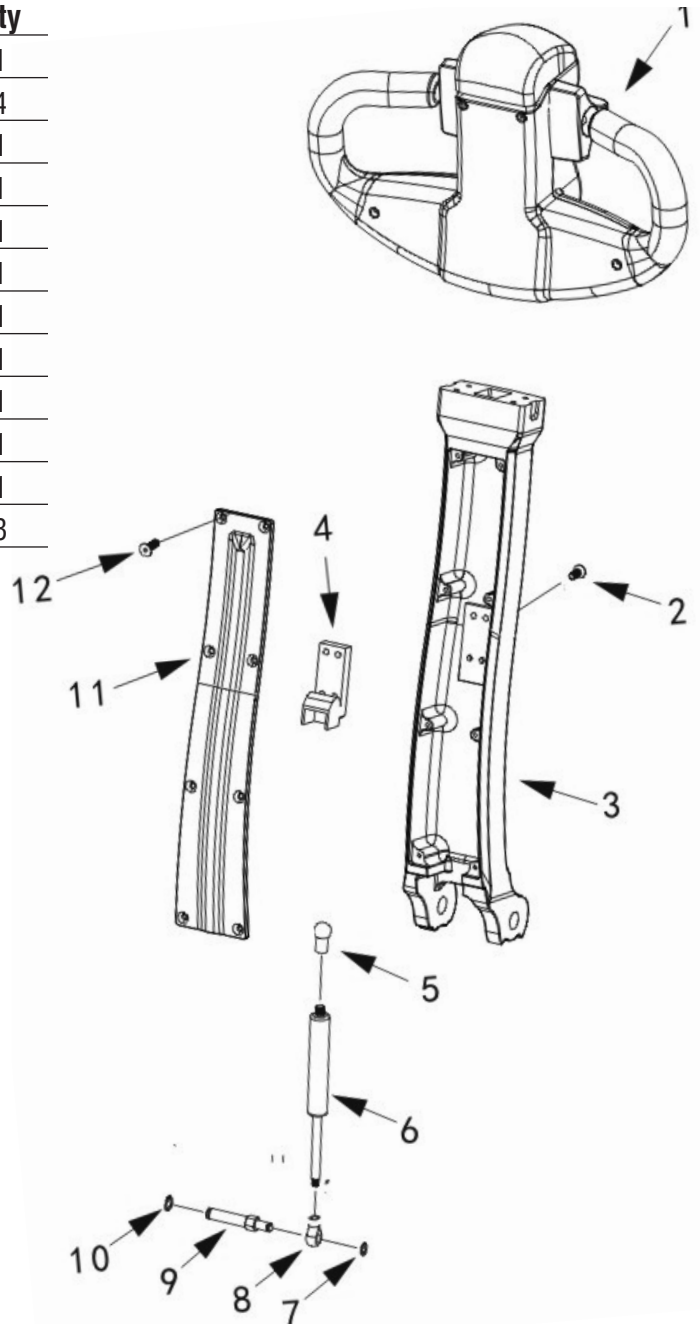
HELMAR INCORPORATED

100 Red Schoolhouse Road • Unit C7 • Chestnut Ridge, NY 10977
www.helmarparts.info • 1-800-621-3414

EJP-3300 Replacement Parts Listing

HANDLE ASSEMBLY

Item	Part#	Description	Qty
01	EJP-5300500002	Switch Box Assembly	1
02	EJP-2000442001	Screw	4
03	EJP-1700502002	Handle Tube	1
04	EJP-0600534001	Pneumatic Spring Seat	1
05	EJP-0700525001	Joint	1
06	EJP-1700519001	Pneumatic Spring Complete	1
07	EJP-2000527002	Snap Ring	1
08	EJP-1700520002	Joint	1
09	EJP-1700513002	Shaft	1
10	EJP-1000527001	Snap Ring	1
11	EJP-1700502003	Covering Plate	1
12	EJP-2000542001	Screw	8



HELMAR INCORPORATED

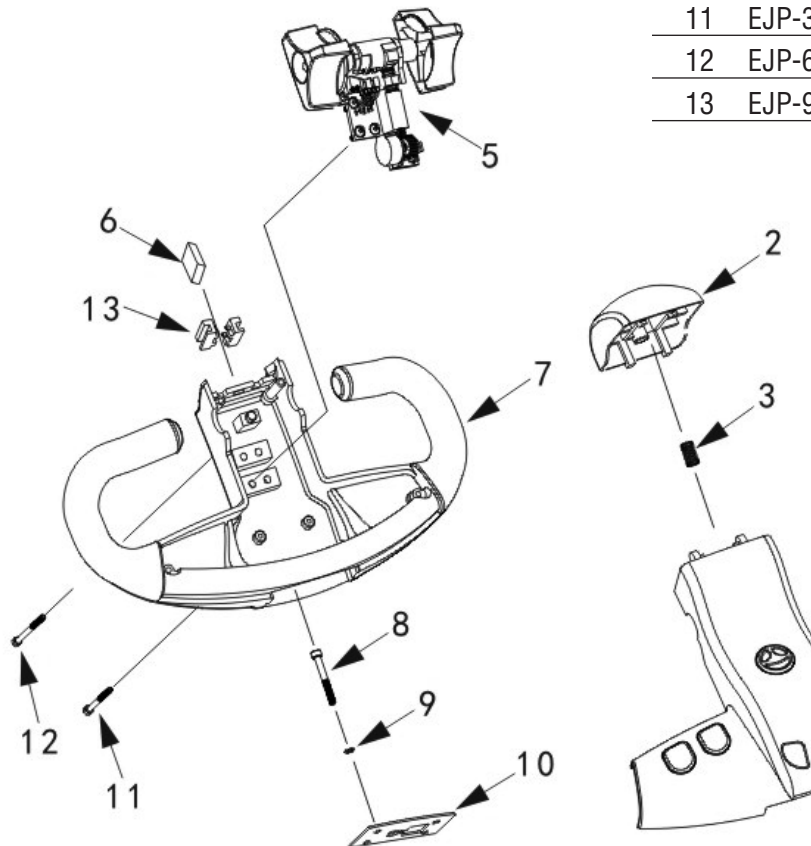
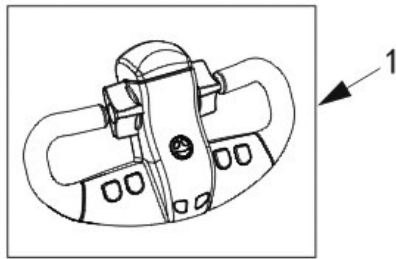
100 Red Schoolhouse Road • Unit C7 • Chestnut Ridge, NY 10977
www.helmarparts.info • 1-800-621-3414



EJP-3300 Replacement Parts Listing

SWITCH BOX ASSEMBLY

Item	Part#	Description	Qty
01	EJP-5300500002	Switch Box Assembly	1
02	EJP-5300518003	Emergency Reverse Button Cover	1
03	EJP-2000519004	Spring	1
04	EJP-5300500001	Cover Assembly	1
05	EJP-4300500004	Stepped Switch Assembly	1
06	EJP-2000507002	Emergency Reverse Button	1
07	EJP-5300517002	Handle	1
08	EJP-6000131001	Screw	4
09	EJP-1001437003	Washer	4
10	EJP-1200518001	Supporting Plate	1
11	EJP-3201431001	Screw	2
12	EJP-6000131006	Screw	2
13	EJP-9300517001	Seat	2



HELMAR INCORPORATED

100 Red Schoolhouse Road • Unit C7 • Chestnut Ridge, NY 10977
www.helmarparts.info • 1-800-621-3414



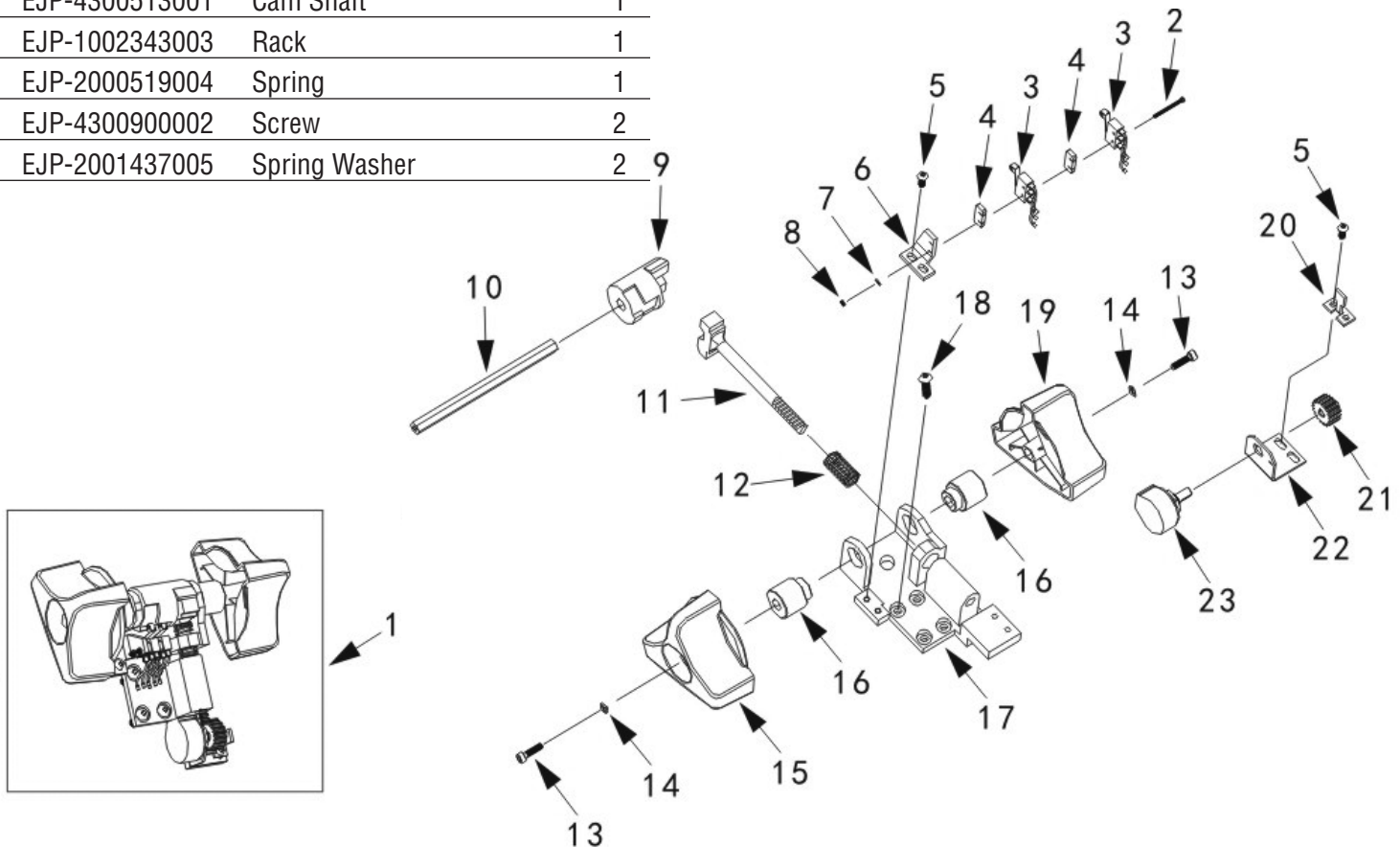
EJP-3300 Replacement Parts Listing

STEERING CONTROL SYSTEM

Item	Part#	Description	Qty
01	EJP-4300500004	Stepped Switch Assembly	1
02	EJP-2000538005	Screw	2
03	EJP-2000507003	Inching Switch	2
04	EJP-2000535001	Isolate Block	2
05	EJP-2001141005	Screw	4
06	EJP-4300518003	Fastening Bracket	1
07	EJP-1000504001	Washer	4
08	EJP-2000539002	Nut	2
09	EJP-4300501005	Cam	1
10	EJP-4300513001	Cam Shaft	1
11	EJP-1002343003	Rack	1
12	EJP-2000519004	Spring	1
13	EJP-4300900002	Screw	2
14	EJP-2001437005	Spring Washer	2

STEERING CONTROL SYSTEM

Item	Part#	Description	Qty
15	EJP-4300540001	Right Control Knob	1
16	EJP-4300512001	Shaft Sleeve	2
17	EJP-4300535001	Fastening Bracket	1
18	EJP-2000541004	Screw	18
19	EJP-4300540002	Left Control Knob	1
20	EJP-4300518004	Baffle	1
21	EJP-2000521001	Gear	1
22	EJP-4700418001	Fastening Bracket	1
23	EJP-1700507001	Potentiometer	1



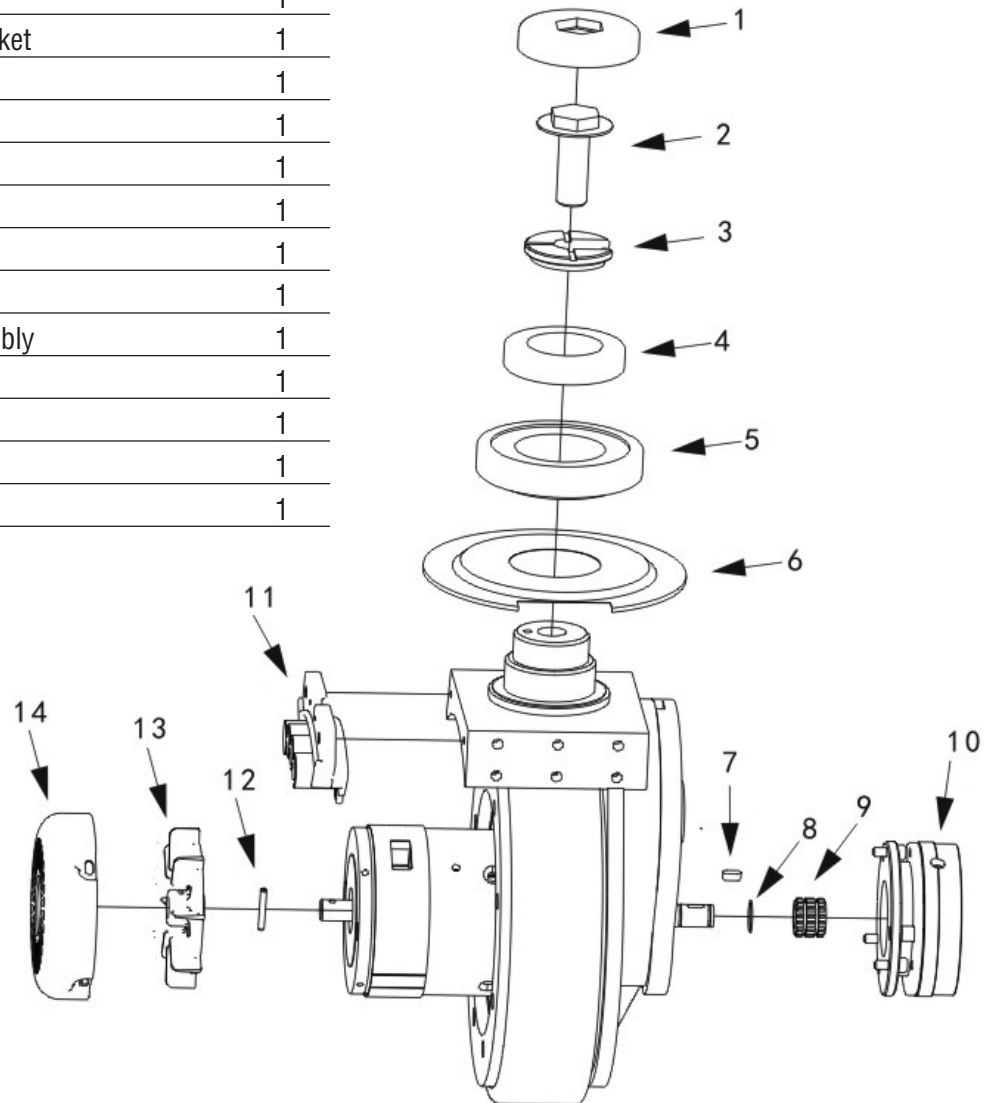
HELMAR INCORPORATED

100 Red Schoolhouse Road • Unit C7 • Chestnut Ridge, NY 10977
www.helmarparts.info • 1-800-621-3414



DRIVING SYSTEM

Item	Part#	Description	Qty
01	EJP-1700234001	Protective Cover	1
02	EJP-1700230001	Screw	1
03	EJP-1700302003	Opening Gasket	1
04	EJP-1700220001	Bearing	1
05	EJP-1700220002	Bearing	1
06	EJP-1700234002	Dust Cover	1
07	EJP-1700104001	Flat Key	1
08	EJP-1700304001	O-Ring	1
09	EJP-1700302004	Spline	1
10	EJP-1700300001	Brake Assembly	1
11	EJP-1700407001	Ear	1
12	EJP-1700304002	Elastic Pin	1
13	EJP-1701402001	Fan	1
14	EJP-1701402002	Fan Cover	1



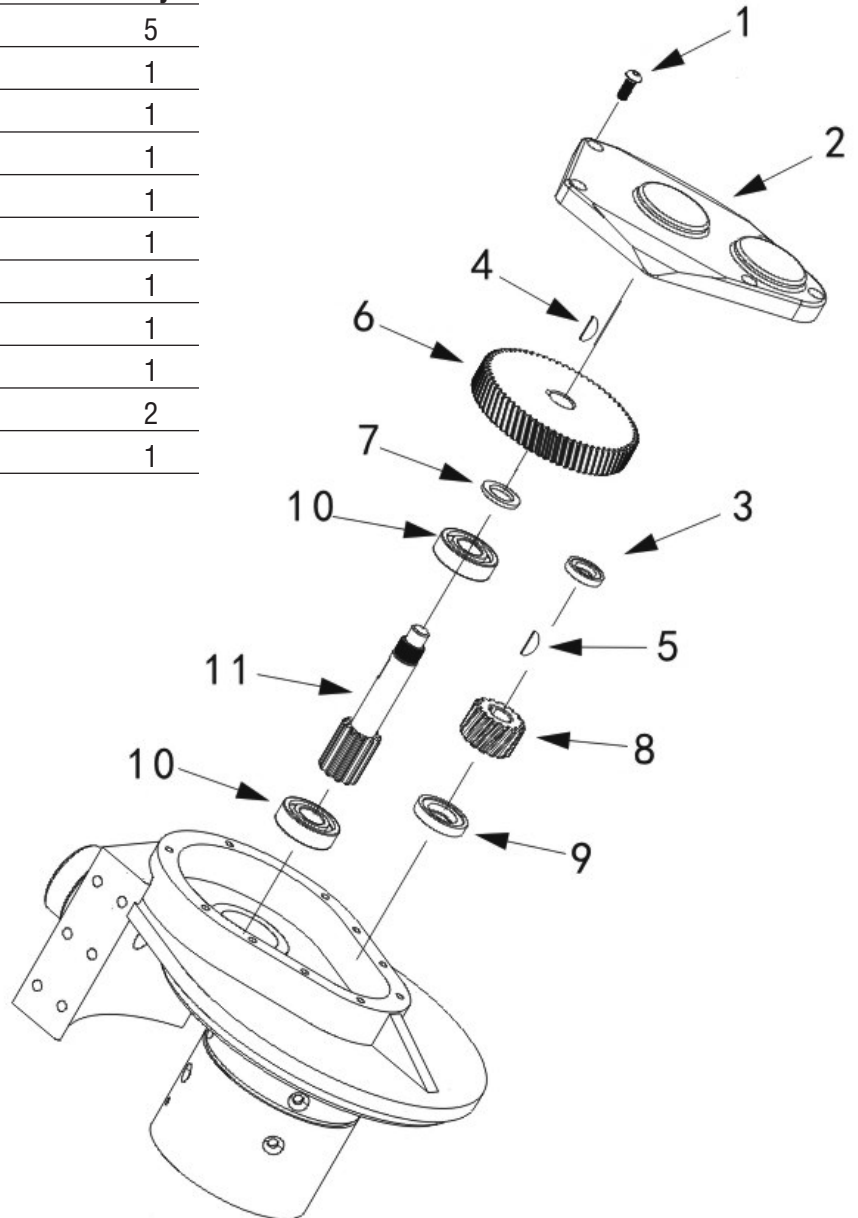
HELMAR INCORPORATED

100 Red Schoolhouse Road • Unit C7 • Chestnut Ridge, NY 10977
www.helmarparts.info • 1-800-621-3414



GEAR BOX ASSEMBLY

Item	Part#	Description	Qty
01	EJP-2000931001	Screw	5
02	EJP-1700111002	Side Cover	1
03	EJP-1700120001	Bearing	1
04	EJP-6000133002	Semicircle Key	1
05	EJP-6000133002	Semicircle Key	1
06	EJP-1700121001	Gear	1
07	EJP-6000127003	Ring	1
08	EJP-1700121003	Gear	1
09	EJP-6000105002	Seal Washer	1
10	EJP-6001420002	Bearing	2
11	EJP-1700121002	Gear	1



HELMAR INCORPORATED

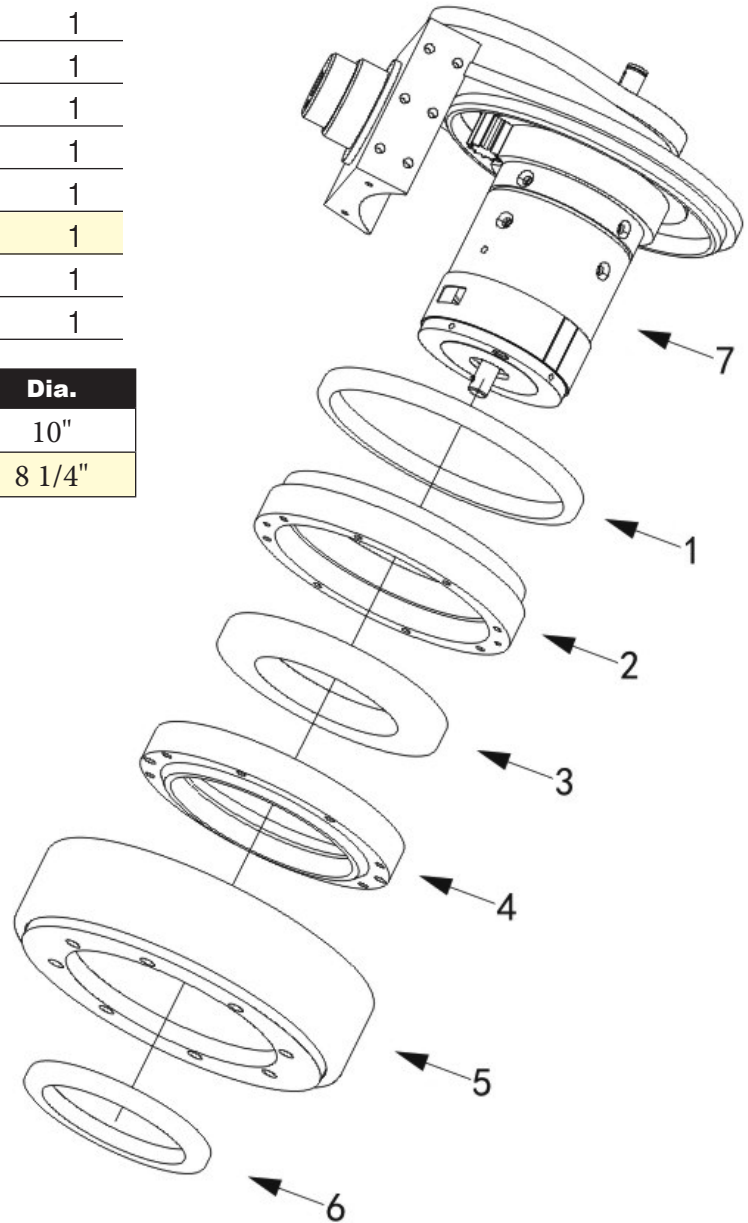
100 Red Schoolhouse Road • Unit C7 • Chestnut Ridge, NY 10977
www.helmarparts.info • 1-800-621-3414



GEAR BOX ASSEMBLY

Item	Part#	Description	Qty
01	EJP-6000105003	Seal Ring	1
02	EJP-1700121004	Gear	1
03	EJP-6000120003	Bearing	1
04	EJP-1700110001	Connection Panel	1
05	EJP-1700332001	Wheels	1
05	EJP-1700332006	Wheels	1
06	EJP-6000105001	Seal Ring	1
07	EJP-1700300002	Motor Assembly	1

Illustration Item 05	Tread	Tread w/Rim	Dia.
EJP-1700332001	2 5/16"	2 5/8"	10"
EJP-1700332006	2 3/4"	3 1/4"	8 1/4"



HELMAR INCORPORATED

100 Red Schoolhouse Road • Unit C7 • Chestnut Ridge, NY 10977
www.helmarparts.info • 1-800-621-3414



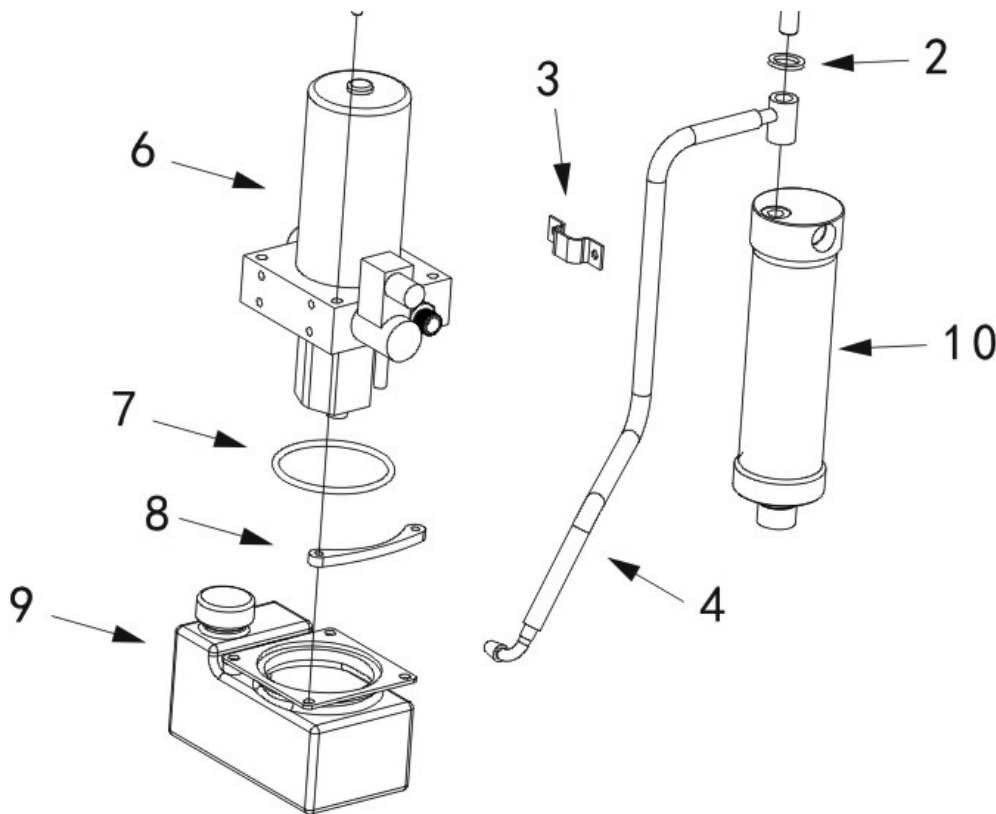
EJP-3300 Replacement Parts Listing

HYDRAULIC SYSTEM

Item	Part#	Description	Qty
01	EJP-1700625001	Joint	1
02	EJP-2000637002	Shim	2
03	EJP-3500635001	Pipe Clamp	1
04	EJP-1700614002	Tubing	1
05	EJP-1001031002	Screw	4

HYDRAULIC SYSTEM

Item	Part#	Description	Qty
06	EJP-1700600003	Plate	1
07	EJP-1700605002	O-Ring	1
08	EJP-1700602001	Nut	2
09	EJP-1700608001	Fuel Tank	1
10	EJP-1700603006	Cylinder	1



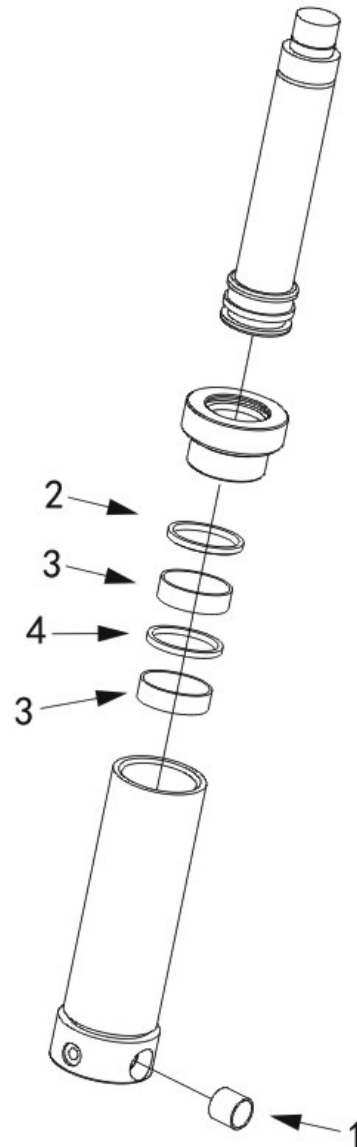
HELMAR INCORPORATED

100 Red Schoolhouse Road • Unit C7 • Chestnut Ridge, NY 10977
www.helmarparts.info • 1-800-621-3414



CYLINDER ASSEMBLY

Item	Part#	Description	Qty
01	EJP-6000812001	Composite Bearing	2
02	EJP-1700600004	Dust Ring	1
03	EJP-1700600005	Supporting Tach	1
04	EJP-1700600007	Seal Washer	1
05	EJP-1700600006	Supporting Tach	1



HELMAR INCORPORATED

100 Red Schoolhouse Road • Unit C7 • Chestnut Ridge, NY 10977
www.helmarparts.info • 1-800-621-3414



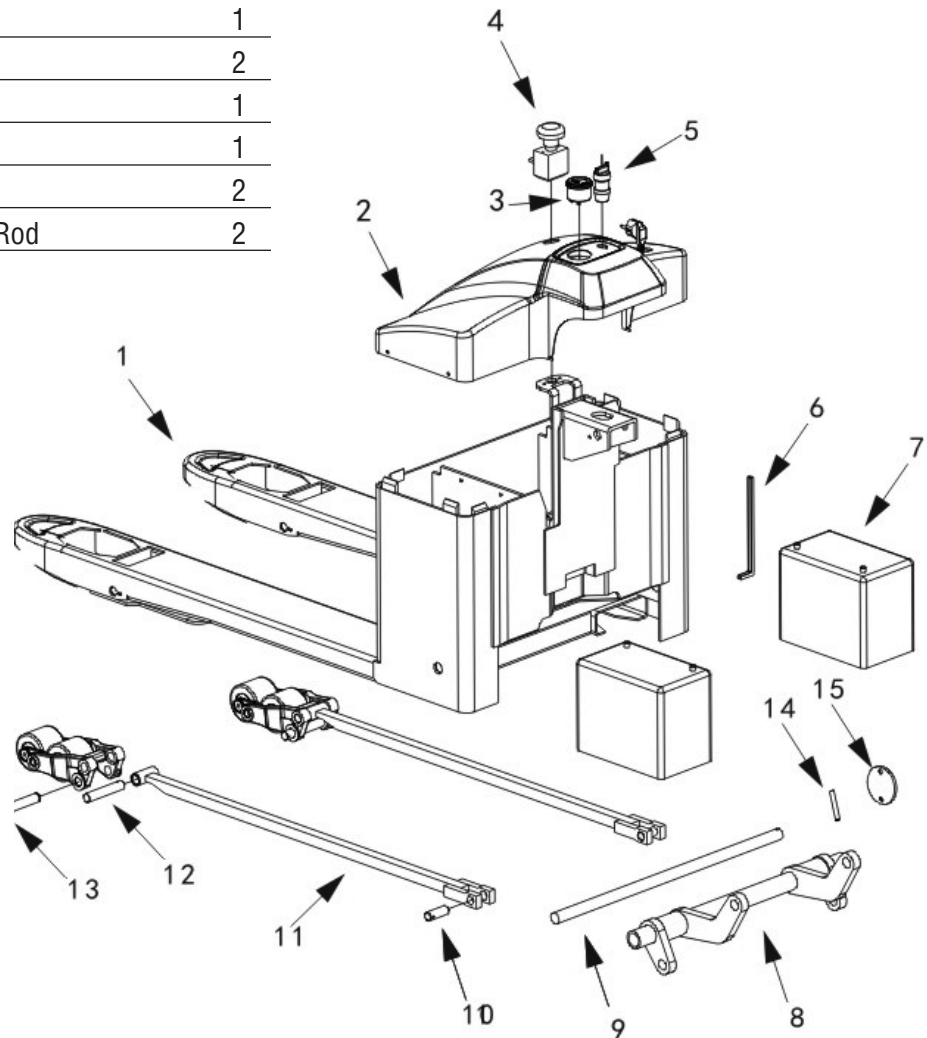
EJP-3300 Replacement Parts Listing

FRAME

Item	Part#	Description	Qty
01	EJP-1700724002	Frame	1
02	EJP-1700709001	Shell	1
03	EJP-2001116002	Power Meter	1
04	EJP-2000407001	Emergency Switch	1
05	EJP-1801116001	Key	1
06	EJP-1700734002	Rubber Pad	1
07	EJP-6001100009	Battery	2
08	EJP-1700202003	Bracket Arm	1
09	EJP-1700202004	Shaft	1
10	EJP-6000213003	Shaft	2
11	EJP-1700202005	Connecting Rod	2

FRAME

Item	Part#	Description	Qty
12	EJP-1700213004	Shaft	2
13	EJP-1700213005	Shaft	2
14	EJP-1700236001	Elastic Pin	1
15	EJP-1700711001	Axle Cushion	1



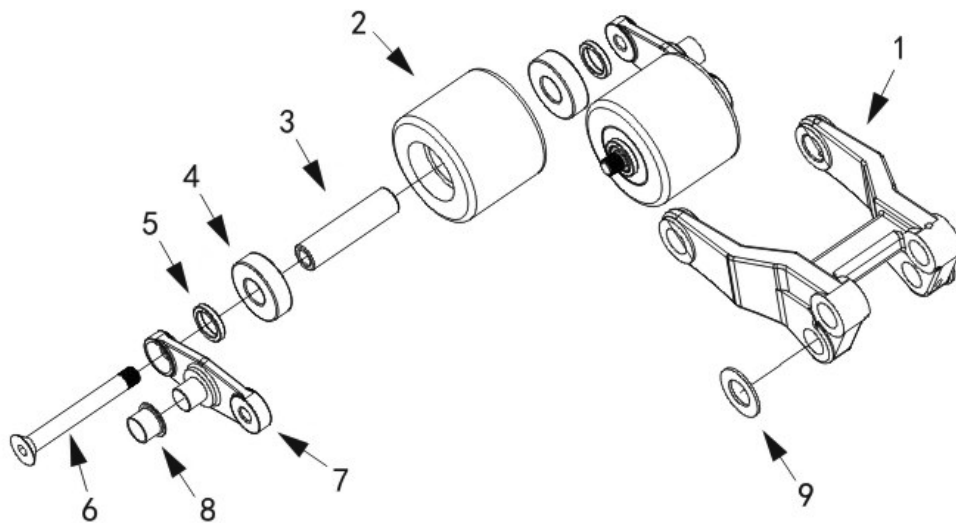
HELMAR INCORPORATED

100 Red Schoolhouse Road • Unit C7 • Chestnut Ridge, NY 10977
www.helmarparts.info • 1-800-621-3414



DOUBLE WHEEL ASSEMBLY

Item	Part#	Description	Qty
01	EJP-1700302005	Wheel Fork	1
02	EJP-1700332002	Loading Wheel	2
03	EJP-1700314001	Axle Sleeve	2
04	EJP-1000320001	Bearing	4
05	EJP-1700312001	Cushion	4
06	EJP-1700325001	Screw	2
07	EJP-1700302006	Plate	2
08	EJP-6000312003	Bearing	2
09	EJP-4901337001	Washer	2



HELMAR INCORPORATED

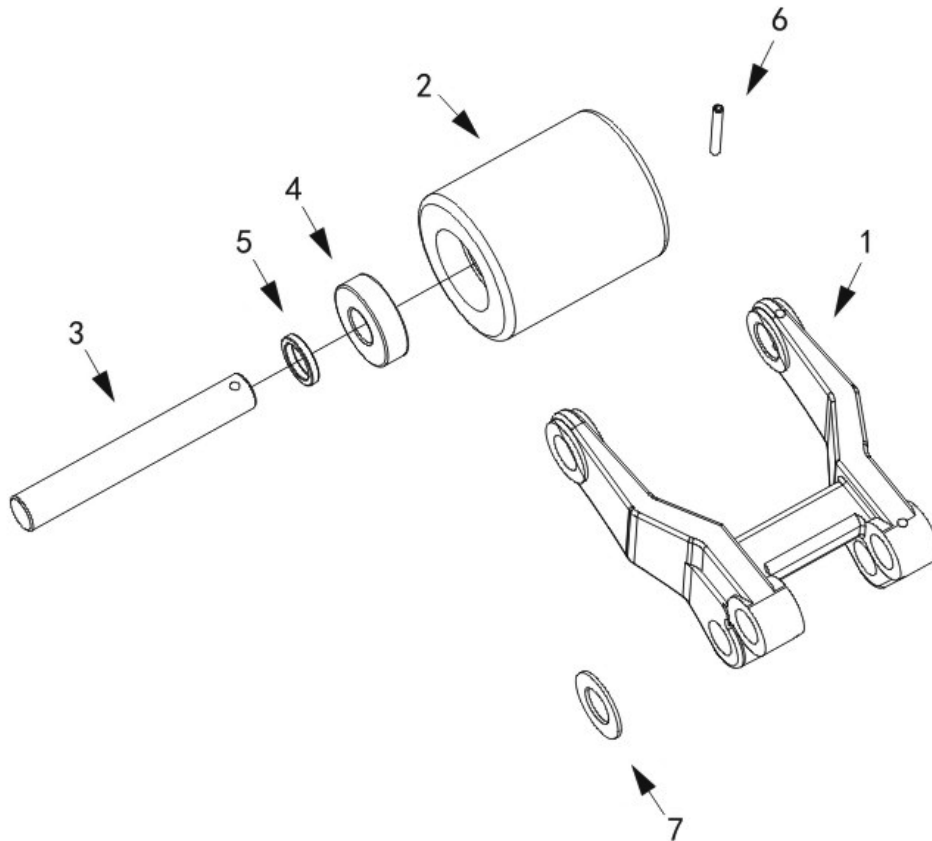
100 Red Schoolhouse Road • Unit C7 • Chestnut Ridge, NY 10977

www.helmarparts.info • 1-800-621-3414



SINGLE WHEEL ASSEMBLY

Item	Part#	Description	Qty
01	EJP-1700302005	Wheel Fork	1
02	EJP-1700332003	Loading Wheel	1
03	EJP-1700313001	Axle Sleeve	1
04	EJP-1000320001	Bearing	4
05	EJP-1700312001	Cushion	4
06	EJP-1001036001	Elastic Pin	1
07	EJP-4901337001	Washer	2



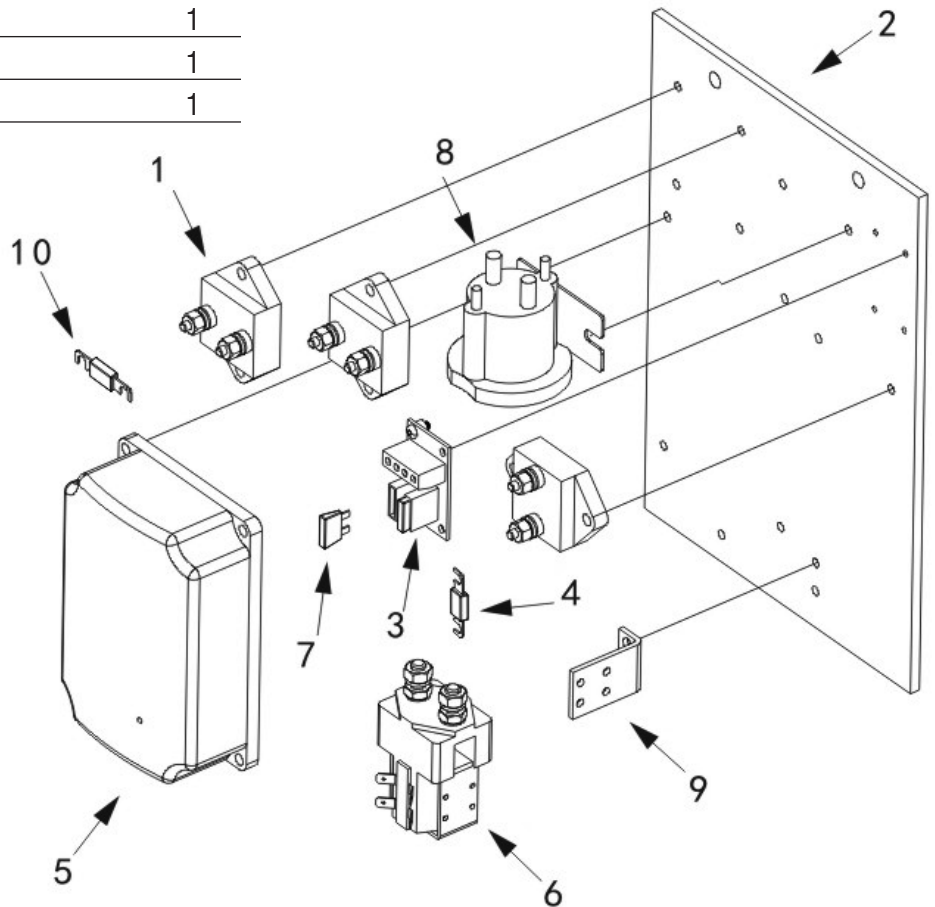
HELMAR INCORPORATED

100 Red Schoolhouse Road • Unit C7 • Chestnut Ridge, NY 10977
www.helmarparts.info • 1-800-621-3414



ELECTRIC PANEL ASSEMBLY

Item	Part#	Description	Qty
01	EJP-1000435004	Fuse Holder	3
02	EJP-1700402002	Install Plate	1
03	EJP-4601200001	Circuit Board	1
04	EJP-4600506001	Fuse	1
05	EJP-1700406001	Controller	1
	EJP-1700406003	Controller	1
	EJP-2000406002	Controller	1
06	EJP-1800306001	Contact	1
07	EJP-1000406006	Fuse	2
08	EJP-1801106001	Contact	1
09	EJP-60004180047	Install Plate	1
10	EJP-1700406002	Fuse	1



HELMAR INCORPORATED

100 Red Schoolhouse Road • Unit C7 • Chestnut Ridge, NY 10977
www.helmarparts.info • 1-800-621-3414



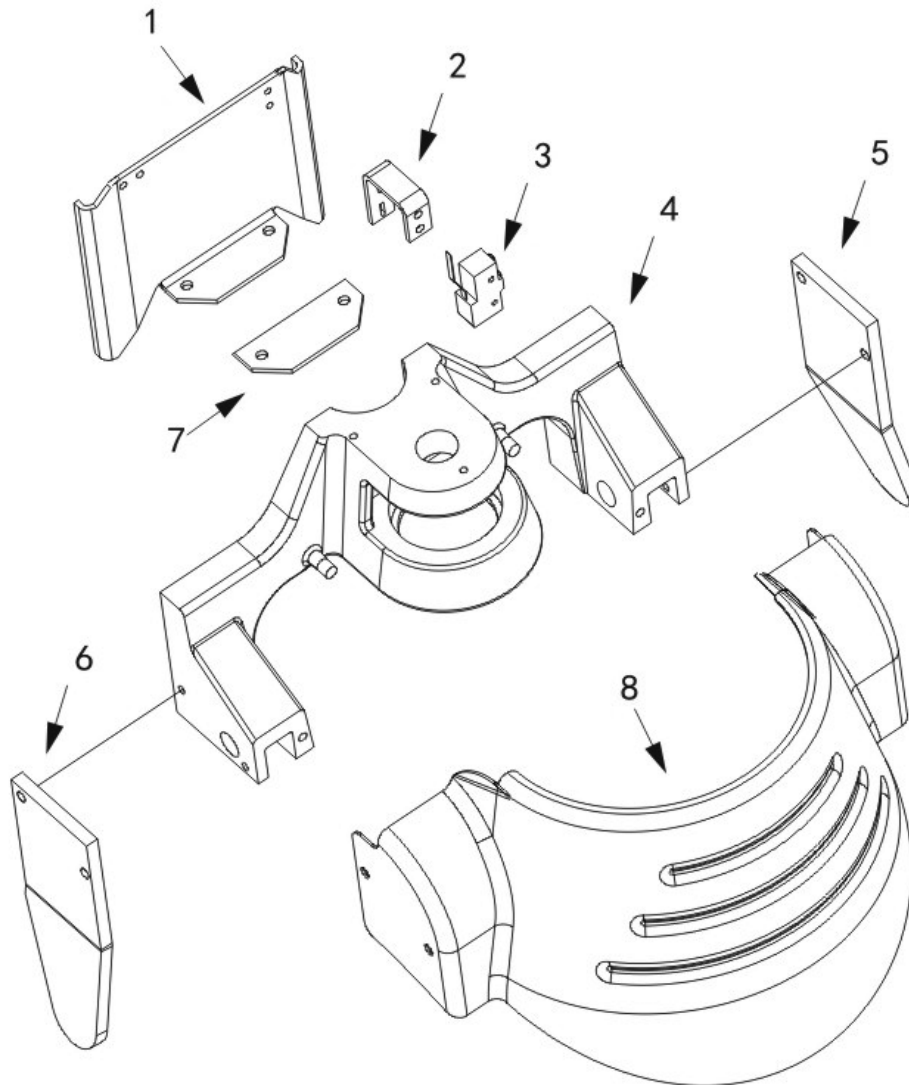
EJP-3300 Replacement Parts Listing

BRACKET ASSEMBLY

Item	Part#	Description	Qty
01	EJP-1700702003	Line Frame	1
02	EJP-1700435002	Switch Seat	1
03	EJP-1000407002	Micro Switch	1
04	EJP-1700702004	Bracket	1

BRACKET ASSEMBLY

Item	Part#	Description	Qty
05	EJP-1700702005	Right Bracket	1
06	EJP-1700702006	Left Bracket	1
07	EJP-1700702007	Limit Pad	6
08	EJP-1700709002	Protective Frame	1



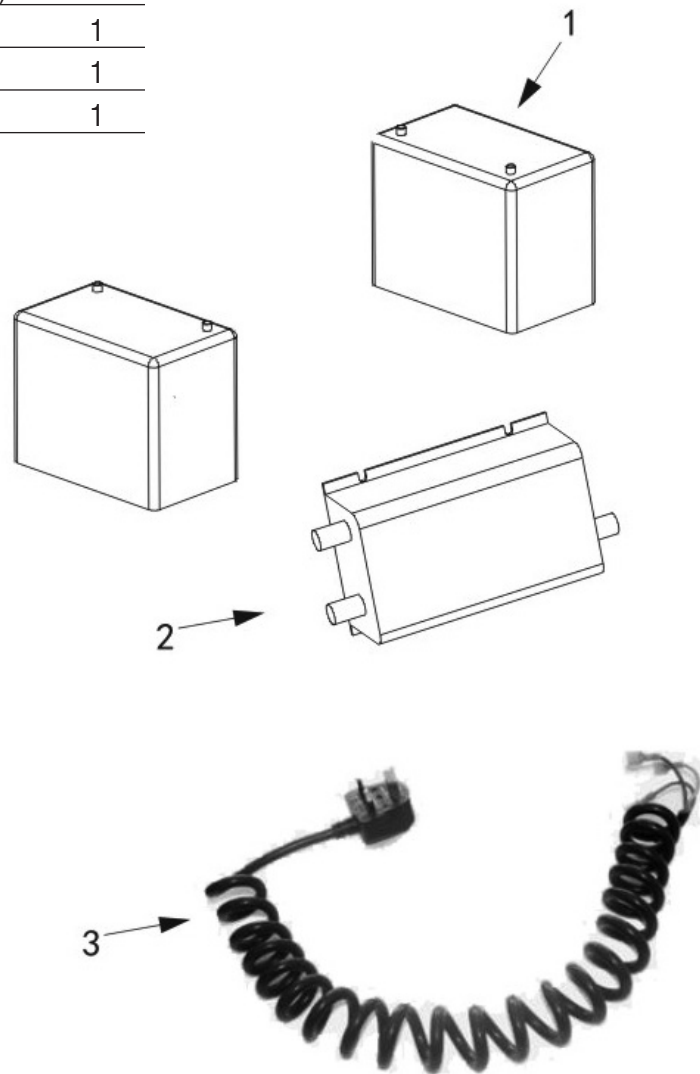
HELMAR INCORPORATED

100 Red Schoolhouse Road • Unit C7 • Chestnut Ridge, NY 10977
www.helmarparts.info • 1-800-621-3414



BATTERY ASSEMBLY

Item	Part#	Description	Qty
01	EJP-6001100009	Battery (70Ah 12V)	2
02	EJP-0701100001	Charger (110V / 220V / 240V)	1
03	EJP-0701100002	Plug Line (USA Criterion)	1
	EJP-0701100003	Plug Line (Australia Criterion)	1
	EJP-0701100004	Plug Line (Eng Criterion)	1
	EJP-0701100005	Plug Line (Europe Criterion)	1
	EJP-0701100006	Plug Line (Brazil Criterion)	1



HELMAR INCORPORATED

100 Red Schoolhouse Road • Unit C7 • Chestnut Ridge, NY 10977
www.helmarparts.info • 1-800-621-3414

