

# ***ELECTRIC***

## ***PALLET JACK PARTS LIST***

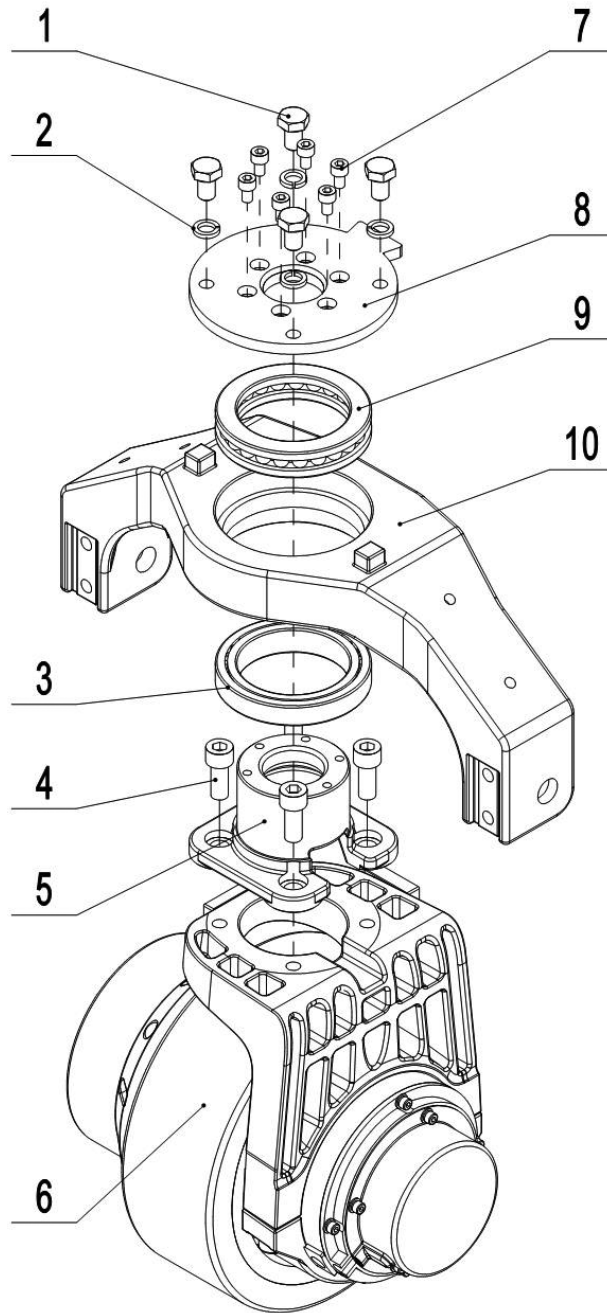
***SPTE15C***  
*Semi-Electric Pallet Jack*

***PTE15C***  
*Full-Electric Pallet Jack*



**Table of Contents**

Chapter 1: Drive System ..... 3  
    01 Drive Unit (508846013503) ..... 3  
    02 Drive Assembly (508846013502) ..... 4  
Chapter 2: Hydraulic System ..... 5  
    01 Hydraulic Components (Electric) (508846024002)..... 5  
    02 Pump Unit (508846024003) ..... 7  
    03 Hydraulic Components (Semi-electric) (508846024004)..... 8  
Chapter 3: Truck Frame..... 10  
    01 Chassis (540) (508846021503) ..... 10  
    02 Chassis (685) (508846021504) ..... 12  
Chapter 4: Steering System, Braking System, Wheels ..... 14  
    01 Tiller Unit (Electric) (508846011003) ..... 14  
    02 Tiller (Electric) (508846011004) ..... 16  
    03 Tiller Unit (Semi-electric) (508846011005) ..... 17  
    04 Tiller (Semi-electric) (508846011006)..... 19  
    05 Load Wheel (508846017001) ..... 20  
    06 Caster (508846016501) ..... 22  
    07 Caster (without) (508846016502)..... 24  
Chapter 5: Electrical Parts ..... 25  
    01 Electrical Components (Electric) (508846033001)..... 25  
    02 Electrical Components (Semi-electric) (508846033002) ..... 27  
    03 Charger (508846036501) ..... 29  
Chapter 6: Others ..... 30  
    01 Labels and Decals (508846047001) ..... 30  
    02 Labels and Decals (USA) (508846047002) ..... 31  
Appendix ..... 32  
    01 Electrical Circuit Diagram (Electric) ..... 32  
    02 Electrical Circuit Diagram (Semi electric)..... 33  
    03 Hydraulic Circuit Diagram (Electric)..... 34  
    04 Hydraulic Circuit Diagram (Semi-electric) ..... 35  
    05 Consumable Parts List..... 36

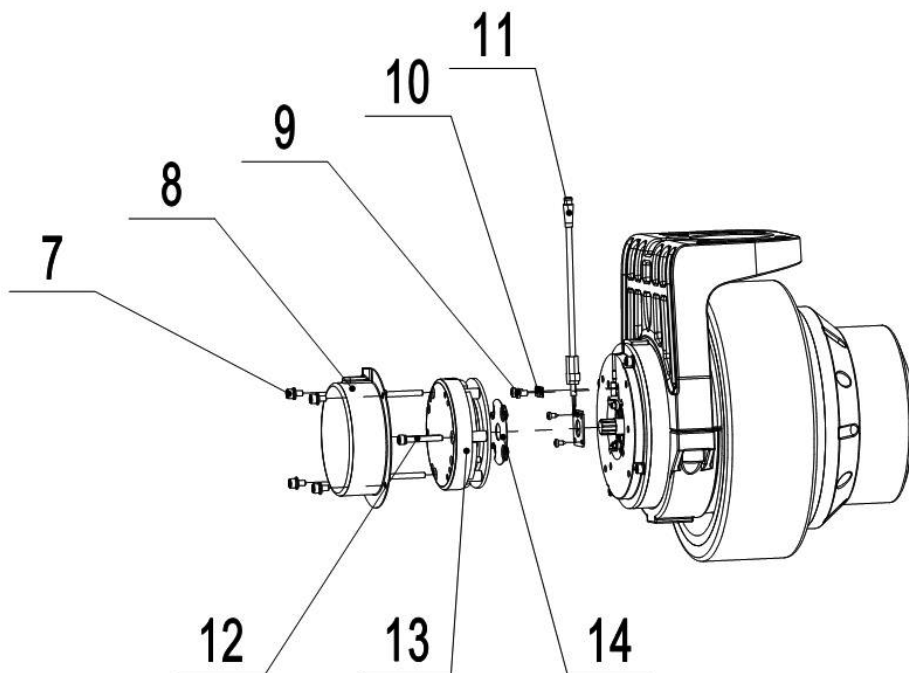
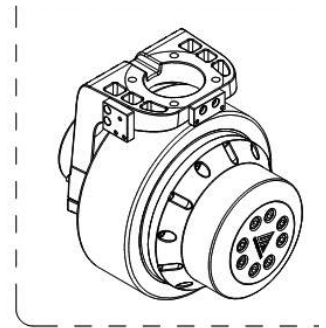
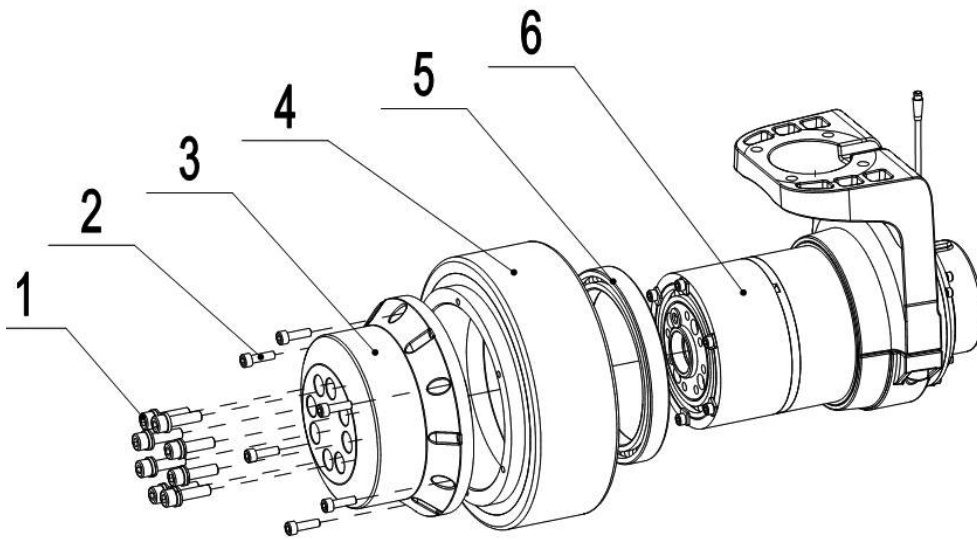


**01 Drive Unit (508846013503)**

No.	Part#	Description	Qty
1	PTE-910100300035	Bolt	4
2	PTE-910400500007	Spring Washer	4
3	PTE-910700600044	Bearing	1
4	PTE-910200200076	Screw	4
5	PTE-508813520001	Flange	1

**01 Drive Unit (508846013503)**

No.	Part#	Description	Qty
6	-----	Drive Unit	1
7	PTE-910200200032	Screw	6
8	PTE-508813520002	Stop Plate	1
9	PTE-910700700011	Bearing	1
10	PTE-508813520000	Wheel Mount	1



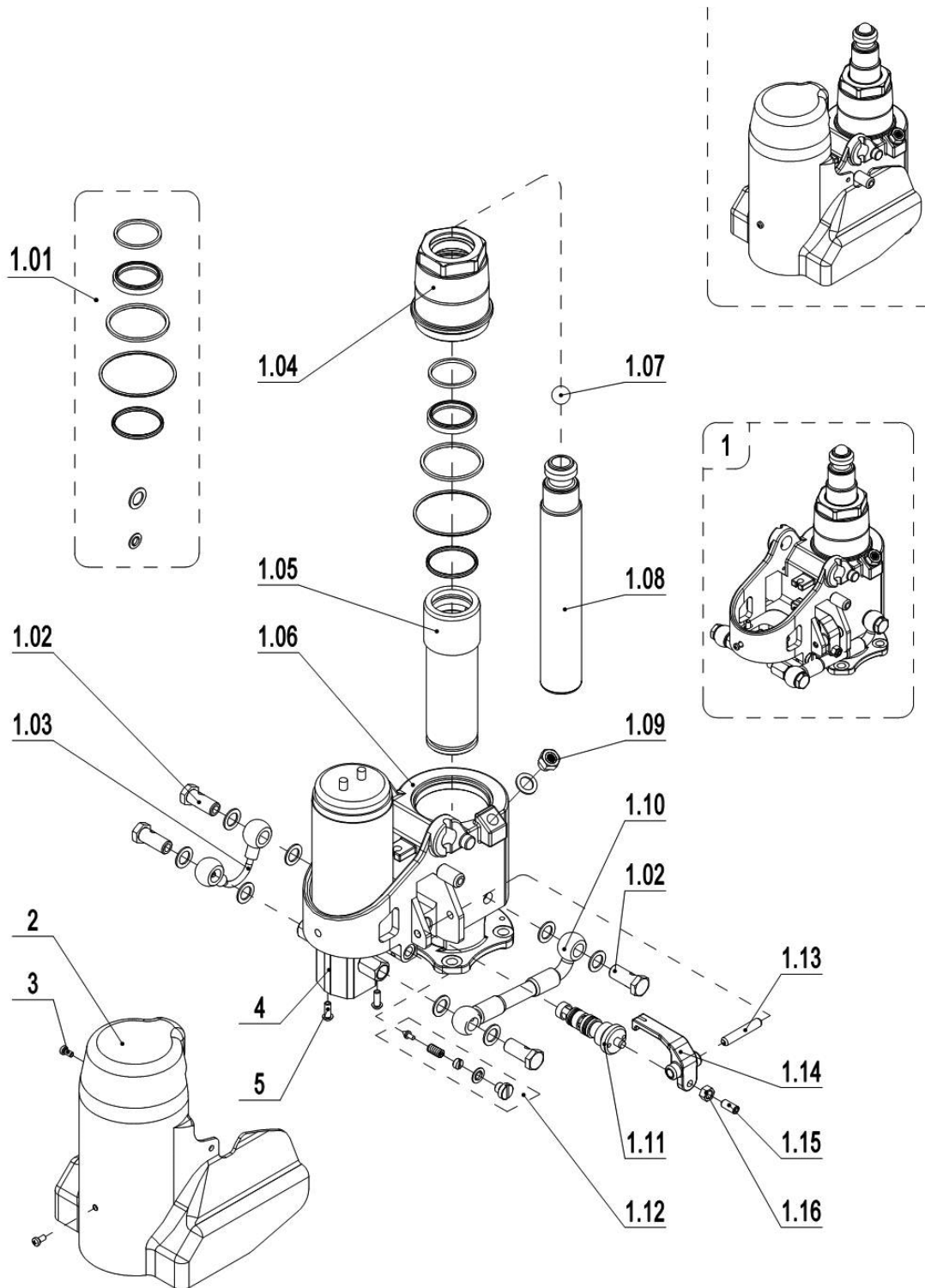
**02 Drive Assembly (508846013502)**

No.	Part#	Description	Qty
--	PTE-940900100019	Drive Unit	1
1	PTE-508898520000	Screw	8
2	PTE-910200200036	Screw	6
3	PTE-508898520001	Protective Cover	1
4	PTE-508898520002	Wheel Hub	1
5	PTE-508898520003	Bearing	1
6	PTE-508898520007	Motor	1
7	PTE-508898520012	Screw	4

**02 Drive Assembly (508846013502)**

No.	Part#	Description	Qty
8	PTE-508898520011	Protective Cover	1
9	PTE-508898520010	Screw	2
10	PTE-508898520009	Plate	1
11	PTE-508898520008	Hall Plate Assembly	1
12	PTE-508898520013	Screw	3
13	PTE-508898520014	Brake	1
14	PTE-508898520015	Protective Cover	1

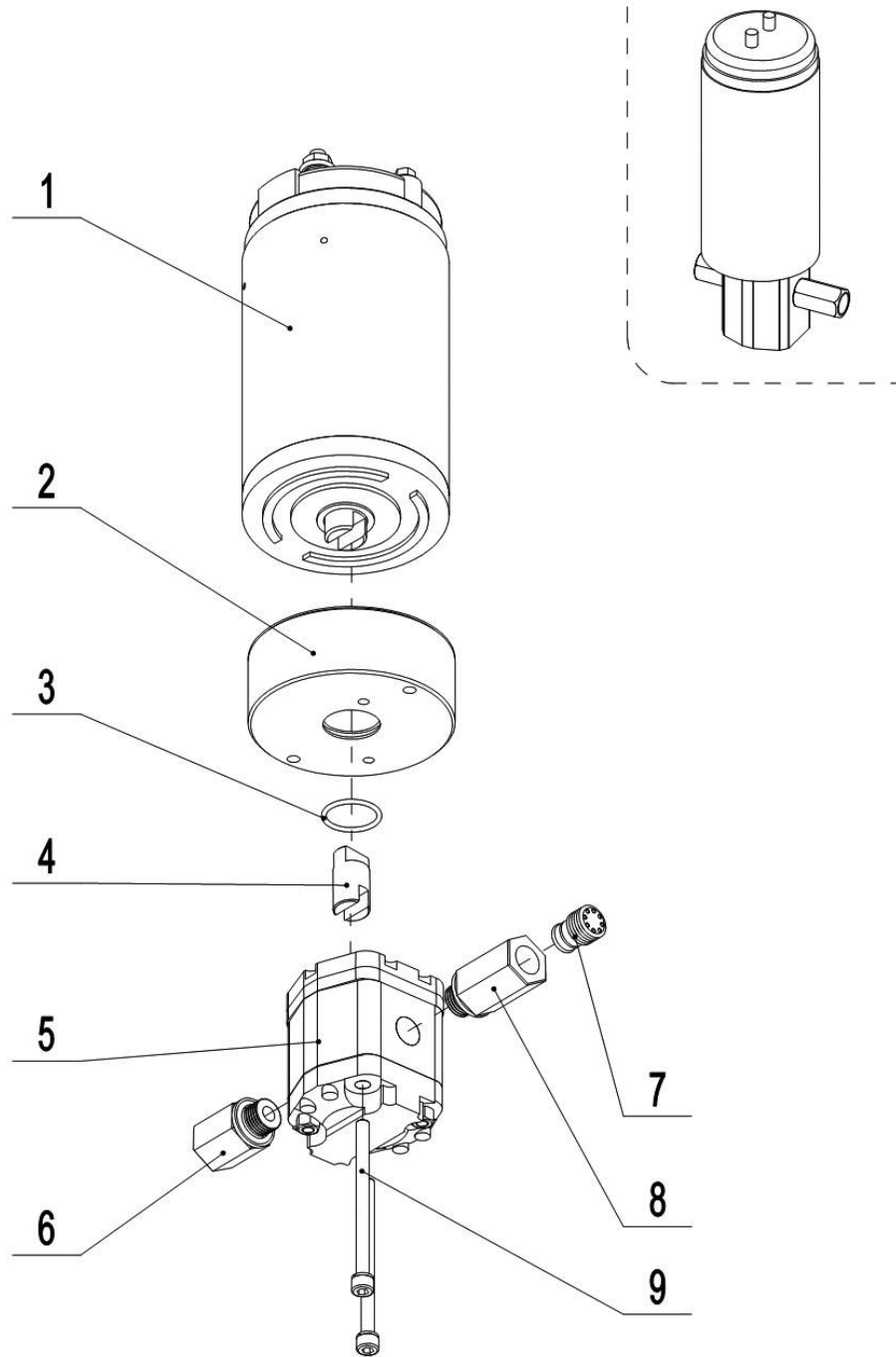
## 01 Hydraulic Components (Electric) (508846024002)



508846024002

**01 Hydraulic Components (Electric) (508846024002)**

No.	Part#	Description	Qty
--	PTE-940900100019	Drive Unit	1
1	PTE-508898520000	Screw	8
2	PTE-910200200036	Screw	6
3	PTE-508898520001	Protective Cover	1
4	PTE-508898520002	Wheel Hub	1
5	PTE-508898520003	Bearing	1
6	PTE-508898520007	Motor	1
7	PTE-508898520012	Screw	4
8	PTE-508898520011	Protective Cover	1
9	PTE-508898520010	Screw	2
10	PTE-508898520009	Plate	1
11	PTE-508898520008	Hall Plate Assembly	1
12	PTE-508898520013	Screw	3
13	PTE-508898520014	Brake	1
14	PTE-508898520015	Protective Cover	1



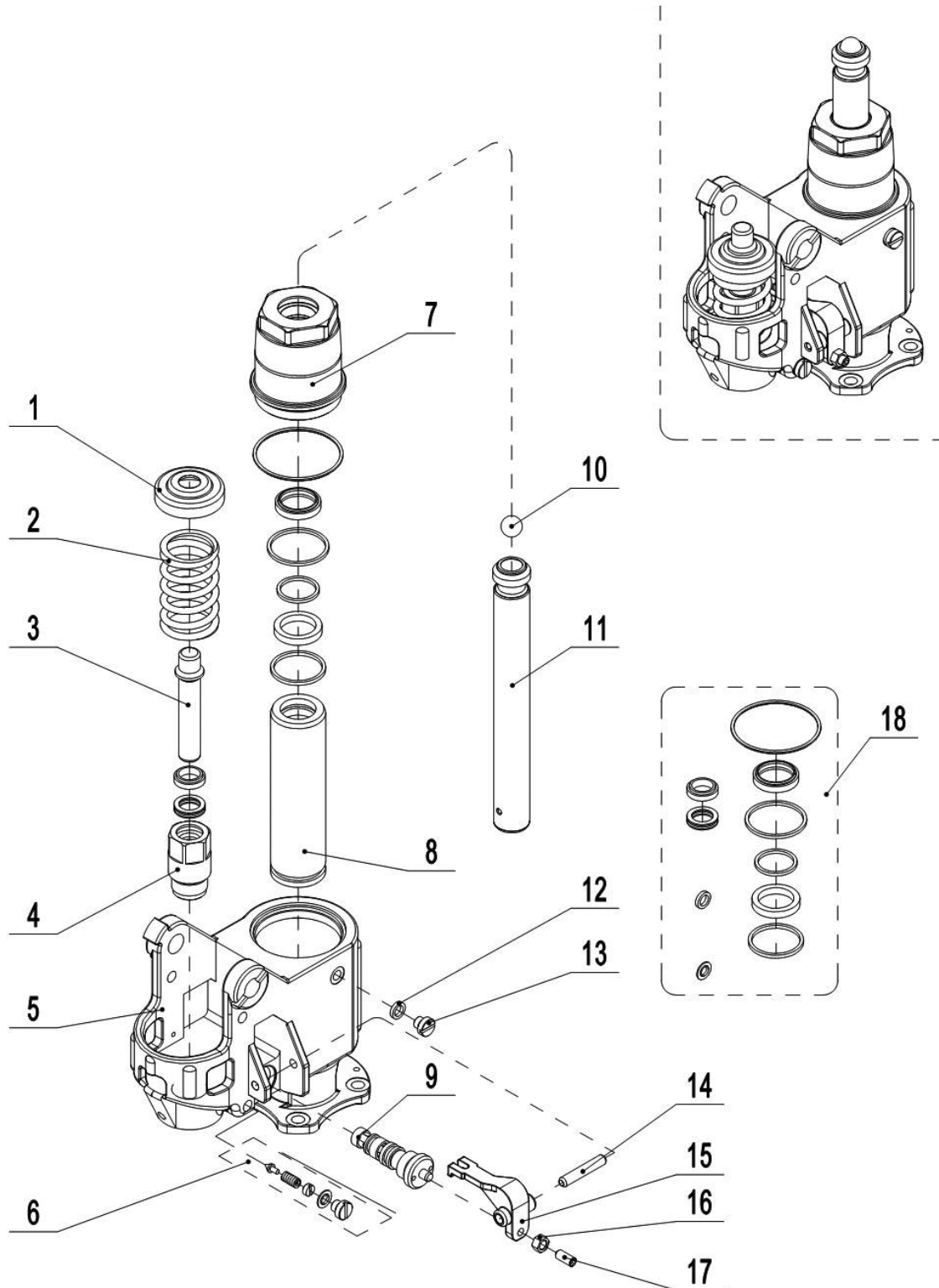
**02 Pump Unit (508846024003)**

No.	Part#	Description	Qty
--	PTE-950900100067	Pump Unit	1
1	PTE-508898520016	Motor	1
2	PTE-508898520017	Flange	1
3	PTE-910800100063	O-Ring	1
4	PTE-508898520018	Coupling	1

**02 Pump Unit (508846024003)**

No.	Part#	Description	Qty
5	PTE-508898520019	Gear Pump	1
6	PTE-503224020008	Adapter	1
7	PTE-503224010004	Check Valve	1
8	PTE-503224020007	Adapter	1
9	PTE-910200200031	Screw	2

## 03 Hydraulic Components (Semi-electric) (508846024004)



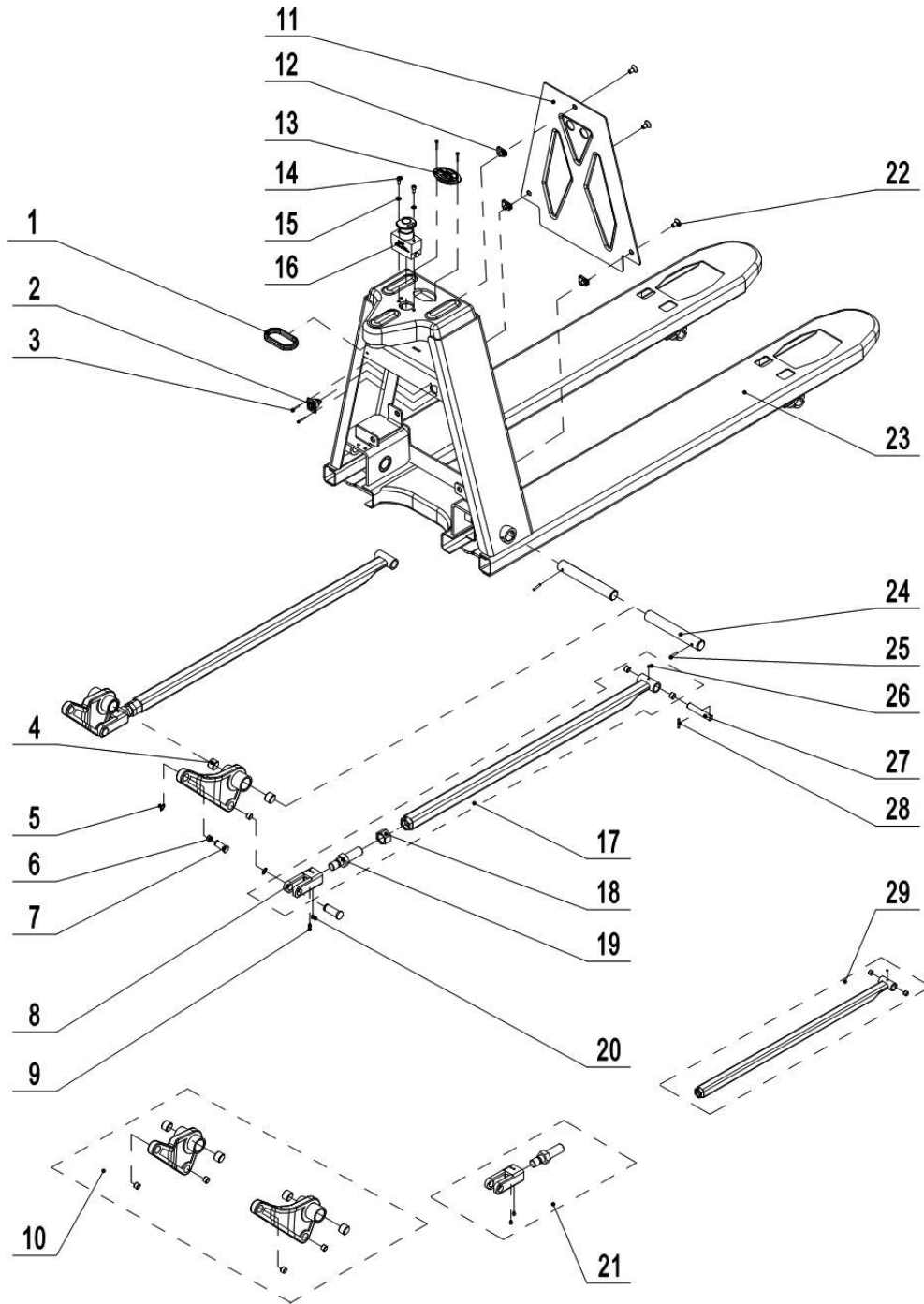
508846024004



**03 Hydraulic Components (Semi-electric) (508846024004)**

No.	Part#	Description	Qty
--	PTE-508898510029	Hydraulic Kit	1
1	PTE-300523520006	Spring Cup	1
2	PTE-502624020004	Spring	1
3	PTE-311423520001	Piston Rod	1
4	PTE-300523520004	Cylinder	1
5	PTE-508824010007	Pump Body	1
6	PTE-508898510014	Over flow Valve	1
7	PTE-508824020019	Cylinder Head	1
8	PTE-502624020012	Cylinder Block	1
9	PTE-502024010005	Valve Kit	1
10	PTE-910701100019	Steel Ball	1
11	PTE-502124020001	Piston Rod	1
12	PTE-950100200002	Seal Gasket	1
13	PTE-502624020011	Plug	1
14	PTE-910600400048	Spring Pin	1
15	PTE-300523520001	Oscillating Bar	1
16	PTE-910300100006	Nut	1
17	PTE-910200800021	Screw	1
18	PTE-508898510022	Seal Kit	1

## 01 Chassis (540) (508846021503)

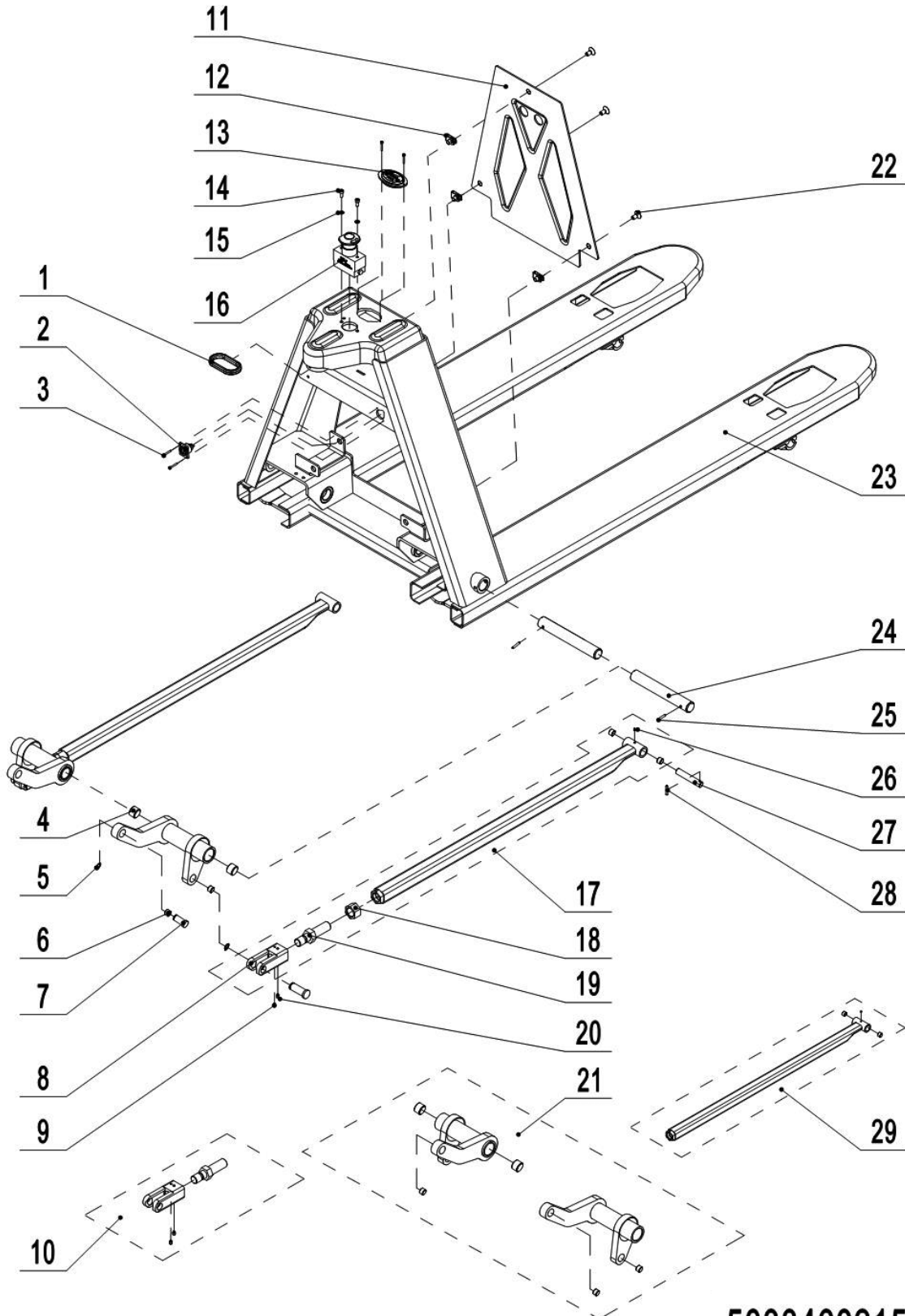


508846021503

**01 Chassis (540) (508846021503)**

No.	Part#	Description	Qty
1	PTE-250521520061	Jacket	1
2	PTE-508833010007	Wire Harness	1
3	PTE-910200200003	Screw	2
4	PTE-940500100097	Bushing	4
5	PTE-910401300007	Circlip	4
6	PTE-940500100083	Bushing	8
7	PTE-508038520041	Pin	4
8	PTE-508038520028	Push Rod Fork	2
9	PTE-910201000005	Screw	2
10	PTE-508898510006	Rise Arm	1
11	PTE-508838520038	Shield	1
12	PTE-940400400002	Cage Nut	3
13	PTE-508833010009	Coulombmeter	1
14	PTE-910200200021	Screw	2
15	PTE-910400100004	Flat Washer	2
16	PTE-920200100018	Emergency Button	1
17	PTE-508898510023	Push Rod Kit(900)	2
17	PTE-508898510024	Push Rod Kit(1000)	2
17	PTE-508898510005	Push Rod Kit(1150)	2
17	PTE-508898510025	Push Rod Kit(1220)	2
18	PTE-910300400008	Nut	2
19	PTE-508038520029	Threaded Rod	2
20	PTE-910600400015	Spring Pin	2
21	PTE-508098510004	Push Rod Fork Kit	2
22	PTE-941101200001	Screw	3
23	PTE-508838510008	Chassis(540x1000)	1
23	PTE-508838510005	Chassis(540x1150)	1
23	PTE-508838510015	Chassis(540x1220)	1
24	PTE-508838520017	Axle	2
25	PTE-910600400041	Spring Pin	2
26	PTE-911200100001	Oil Cup	2
27	PTE-502338520030	Axle	2
28	PTE-910600400024	Spring Pin	2
29	PTE-508898510026	Push Rod Kit(900)	2
29	PTE-508898510027	Push Rod Kit(1000)	2
29	PTE-508898510004	Push Rod Kit(1150)	2
29	PTE-508898510028	Push Rod Kit(1220)	2

## 02 Chassis (685) (508846021504)

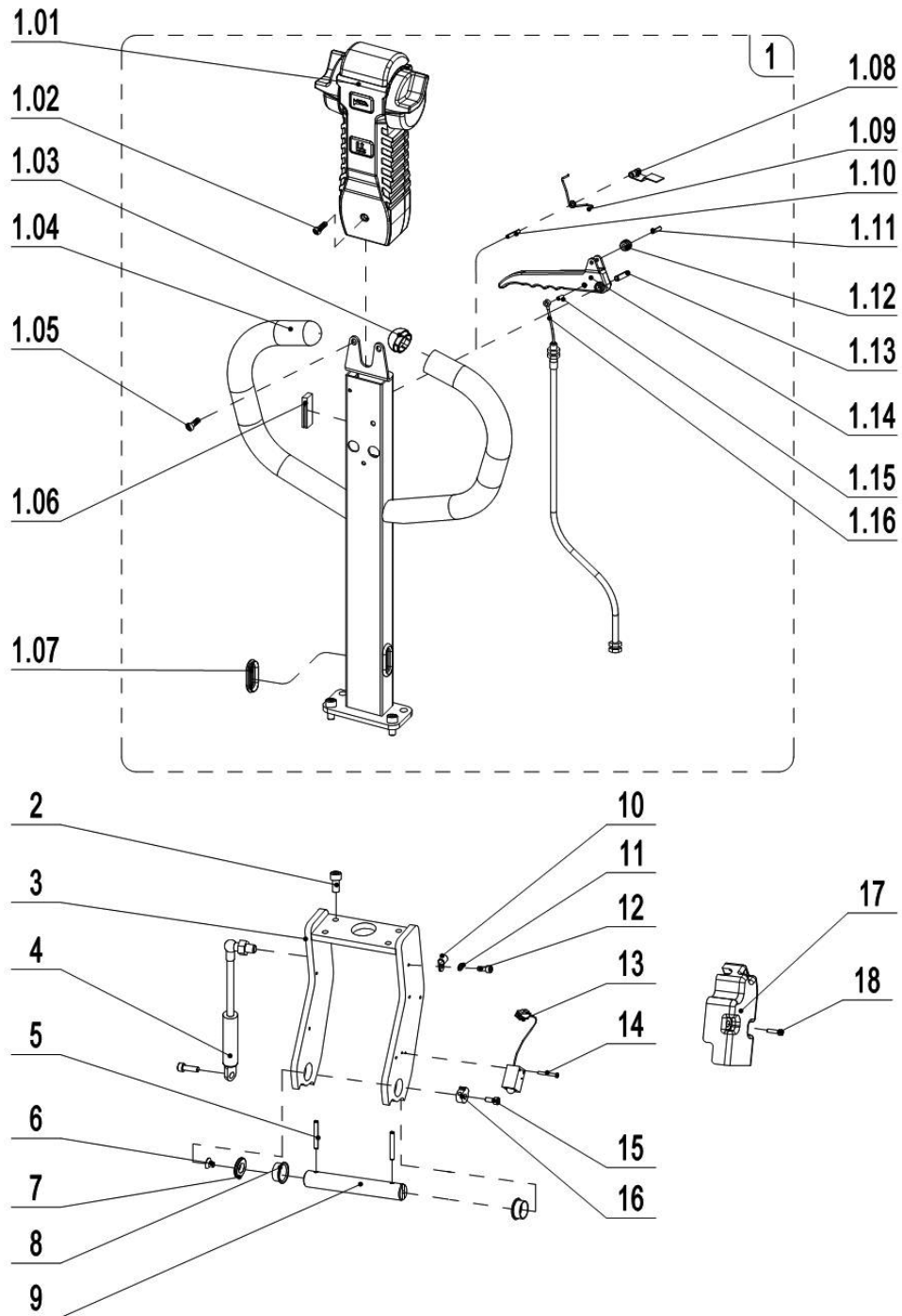


508846021504

**02 Chassis (685) (508846021504)**

No.	Part#	Description	Qty
1	PTE-250521520061	Jacket	1
2	PTE-508833010007	Wire Harness	1
3	PTE-910200200003	Screw	2
4	PTE-940500100097	Bushing	4
5	PTE-910401300007	Circlip	4
6	PTE-940500100083	Bushing	8
7	PTE-508038520041	Pin	4
8	PTE-508038520028	Push Rod Fork	2
9	PTE-910201000005	Screw	2
10	PTE-508098510004	Push Rod Fork Kit	2
11	PTE-508838520038	Shield	1
12	PTE-940400400002	Cage Nut	3
13	PTE-508833010009	Coulombmeter	1
14	PTE-910200200021	Screw	2
15	PTE-910400100004	Flat Washer	2
16	PTE-920200100018	Emergency Button	1
17	PTE-508898510023	Push Rod Kit(900)	2
17	PTE-508898510024	Push Rod Kit(1000)	2
17	PTE-508898510005	Push Rod Kit(1150)	2
17	PTE-508898510025	Push Rod Kit(1220)	2
18	PTE-910300400008	Nut	2
19	PTE-508038520029	Threaded Rod	2
20	PTE-910600400015	Spring Pin	2
21	PTE-508898510007	Rise Arm	1
22	PTE-941101200001	Screw	3
23	PTE-508838510012	Chassis(685x900)	1
23	PTE-508838510009	Chassis(685x1000)	1
23	PTE-508838510006	Chassis(685x1150)	1
23	PTE-508838510016	Chassis(685x1150)	
24	PTE-508838520037	Axle	2
25	PTE-910600400041	Spring Pin	2
26	PTE-911200100001	Oil Cup	2
27	PTE-502338520030	Axle	2
28	PTE-910600400024	Spring Pin	2
29	PTE-508898510026	Push Rod Kit(900)	2
29	PTE-508898510027	Push Rod Kit(1000)	2
29	PTE-508898510004	Push Rod Kit(1150)	2
29	PTE-508898510028	Push Rod Kit(1220)	2

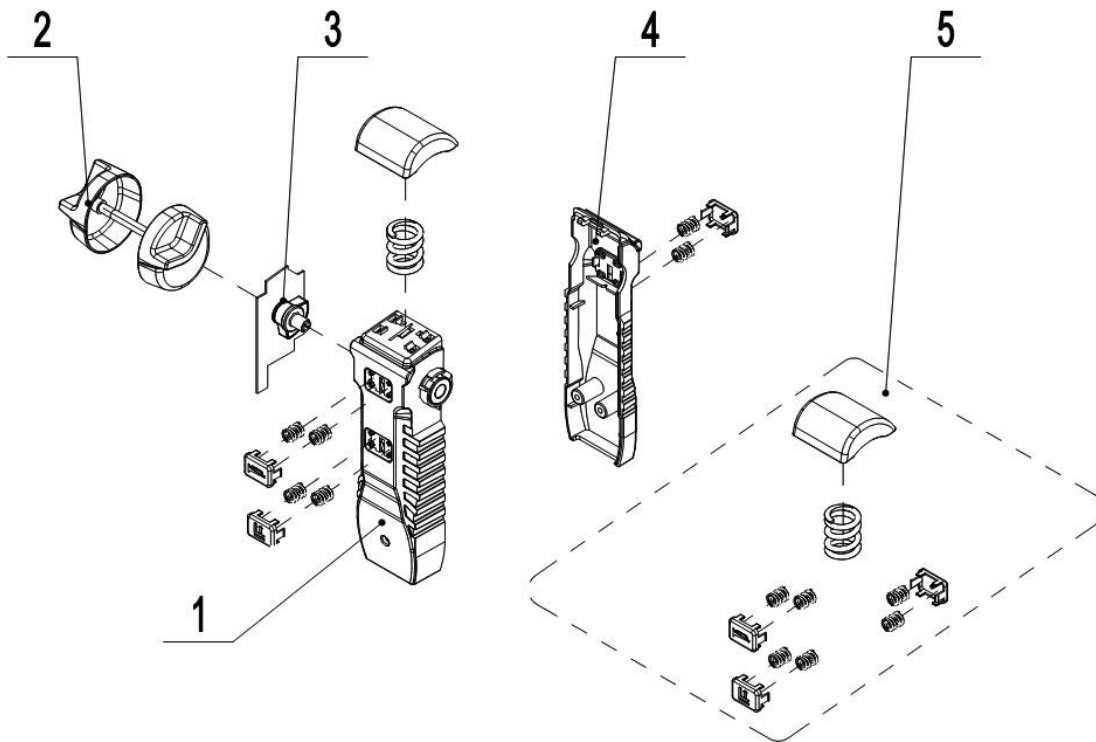
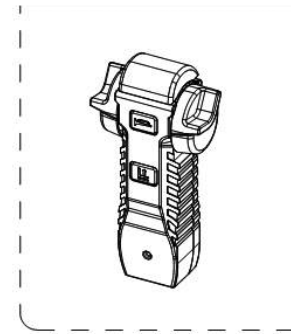
## 01 Tiller Unit (Electric) (508846011003)



508846011003

**01 Tiller Unit (Electric) (508846011003)**

No.	Part#	Description	Qty
1	PTE-508898510013	Handle Kit	1
1.01	-----	Tiller	1
1.02	PTE-910200500036	Screw	3
1.03	PTE-508811020007	Close Plate	2
1.04	PTE-508811010000	Tiller	1
1.05	PTE-910200500041	Screw	4
1.06	PTE-301011020007	Rubber Mat	1
1.07	PTE-300511020017	Jacket	1
1.08	PTE-302511020000	Leaf Spring	1
1.09	PTE-940400700002	Spring	1
1.10	PTE-910600400015	Spring Pin	1
1.11	PTE-910600400011	Spring Pin	1
1.12	PTE-301011020004	Roller	1
1.13	PTE-910600400038	Spring Pin	1
1.14	PTE-301011020002	Finger Lever	1
1.15	PTE-910600400009	Spring Pin	1
1.16	PTE-502111020007	Control Cable	1
2	PTE-910200200055	Screw	5
3	PTE-508811010002	Flange	1
4	PTE-940400100003	Air Spring	1
5	PTE-910600400027	Spring Pin	2
6	PTE-910200400016	Screw	1
7	PTE-508811020006	End Cap	1
8	PTE-940500200004	Bushing	2
9	PTE-508811020005	Axle	1
10	PTE-921300200001	Cable Clamp	3
11	PTE-910400100003	Flat Washer	3
12	PTE-910200500021	Screw	3
13	PTE-508833010018	Proximity Switch	1
14	PTE-910200500016	Screw	2
15	PTE-910200200022	Screw	1
16	PTE-503211020011	Induction Block	1
17	PTE-502611020007	Protective Cover	1
18	PTE-910200500024	Screw	3

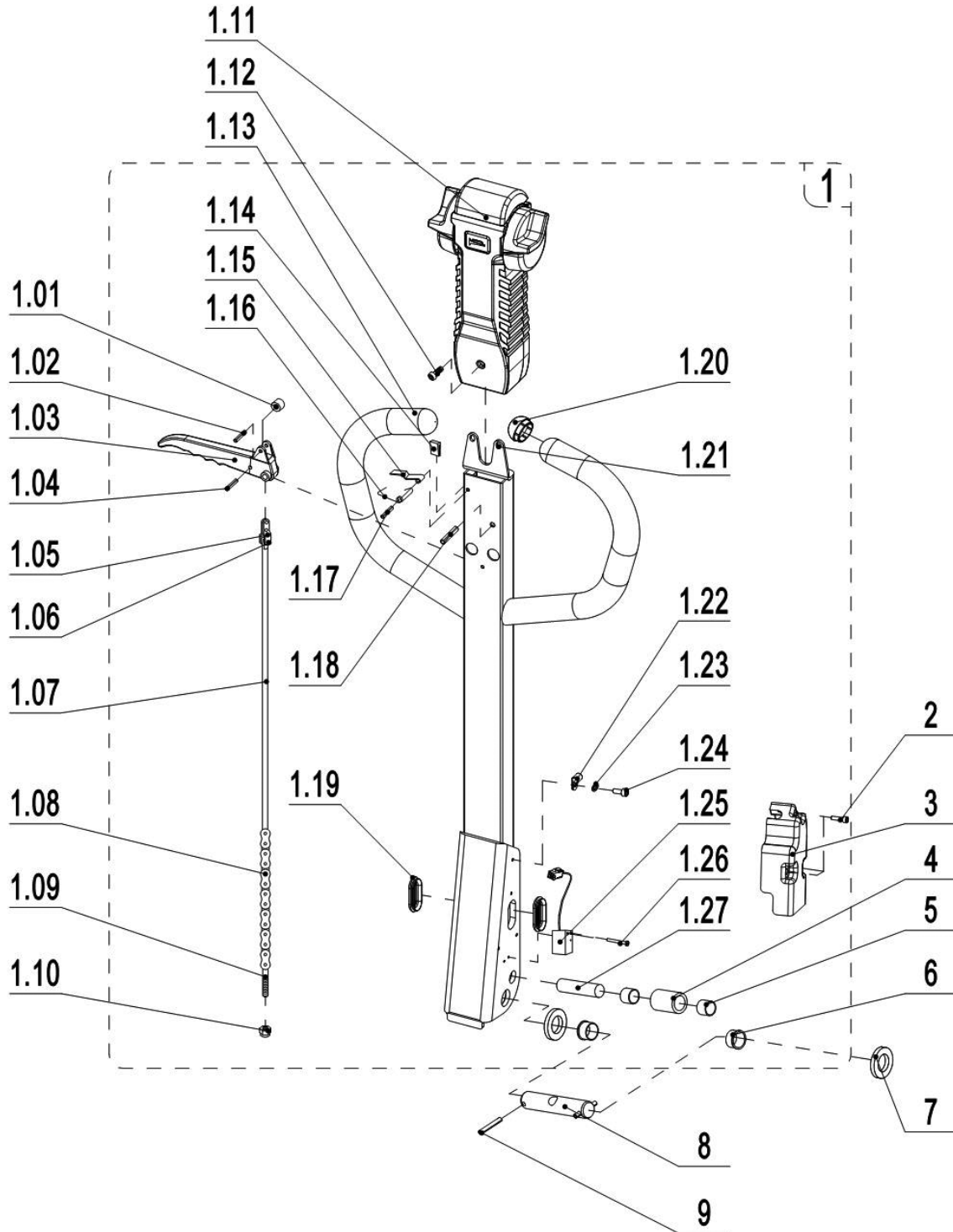


<b>02 Tiller (Electric) (508846011004)</b>			
No.	Part#	Description	Qty
--	PTE-922100100041	Tiller	1
1	PTE-508898520004	Handle Cap	1
2	PTE-508898510008	Button	1
3	PTE-508898510009	Accelerator	1
4	PTE-508898520005	Handle Cap	1

<b>02 Tiller (Electric) (508846011004)</b>			
No.	Part#	Description	Qty
5	PTE-508898510010	Switch Assembly	1



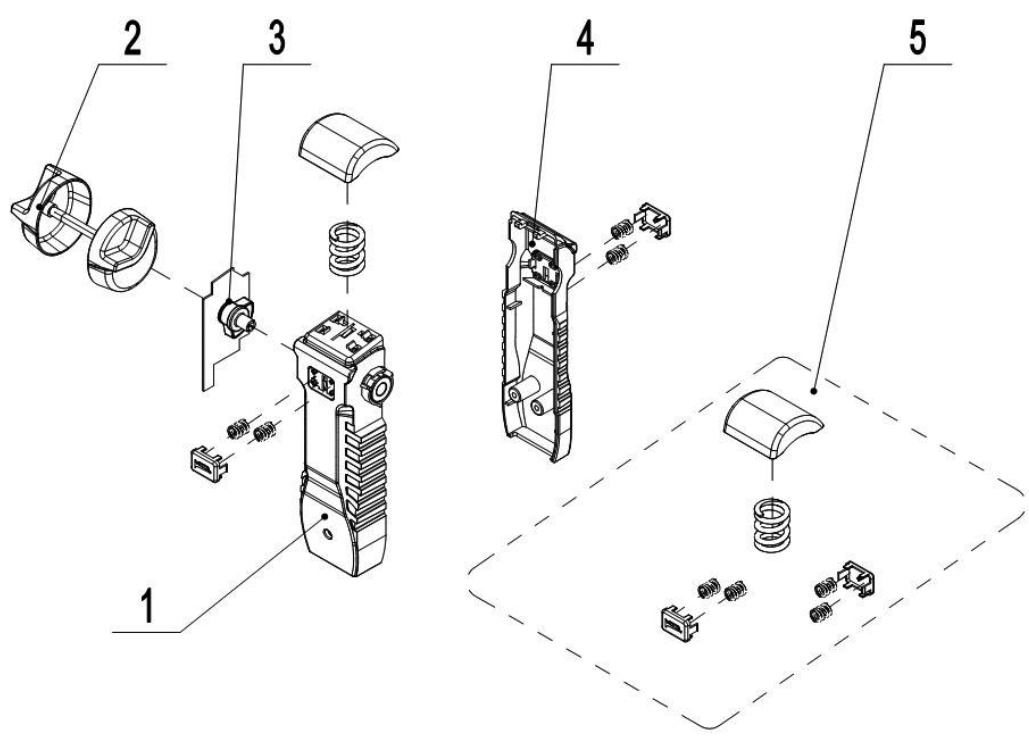
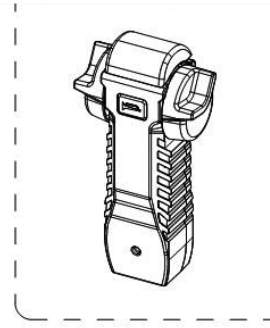
## 03 Tiller Unit (Semi-electric) (508846011005)



508846011005

**03 Tiller Unit (Semi-electric) (508846011005)**

No.	Part#	Description	Qty
1	PTE-508898510012	Handle Kit	1
1.01	PTE-301011020004	Roller	1
1.02	PTE-910600400011	Spring Pin	1
1.03	PTE-301011020002	Finger Lever	1
1.04	PTE-910600400009	Spring Pin	1
1.05	PTE-301011020001	Plate	1
1.06	PTE-910500400001	Rivet	1
1.07	PTE-502111020004	Rod	1
1.08	PTE-301011020009	Chain	1
1.09	PTE-301011020006	Rod	1
1.10	PTE-910300500002	Nut	2
1.11	-----	Tiller	1
1.12	PTE-910200500036	Screw	3
1.13	PTE-508811010001	Tiller	1
1.14	PTE-301011020007	Rubber Mat	1
1.15	PTE-302511020000	Leaf Spring	1
1.16	PTE-940400700002	Spring	1
1.17	PTE-910600400015	Spring Pin	1
1.18	PTE-910600400038	Spring Pin	1
1.19	PTE-300511020017	Jacket	2
1.20	PTE-508811020007	Close Plate	2
1.21	PTE-910200500041	Screw	4
1.22	PTE-921300200001	Cable Clamp	3
1.23	PTE-910400100003	Flat Washer	3
1.24	PTE-910200500021	Screw	3
1.25	PTE-508833010018	Proximity Switch	1
1.26	PTE-910200500016	Screw	2
1.27	PTE-300511020000	Axle	1
2	PTE-910200500024	Screw	3
3	PTE-503211020008	Protective Cover	1
4	PTE-300511020001	Roller	1
5	PTE-940500100003	Bushing	2
6	PTE-940500200006	Bushing	2
7	PTE-502111020010	Washer	2
8	PTE-502611020006	Pin	1
9	PTE-910600400027	Spring Pin	2



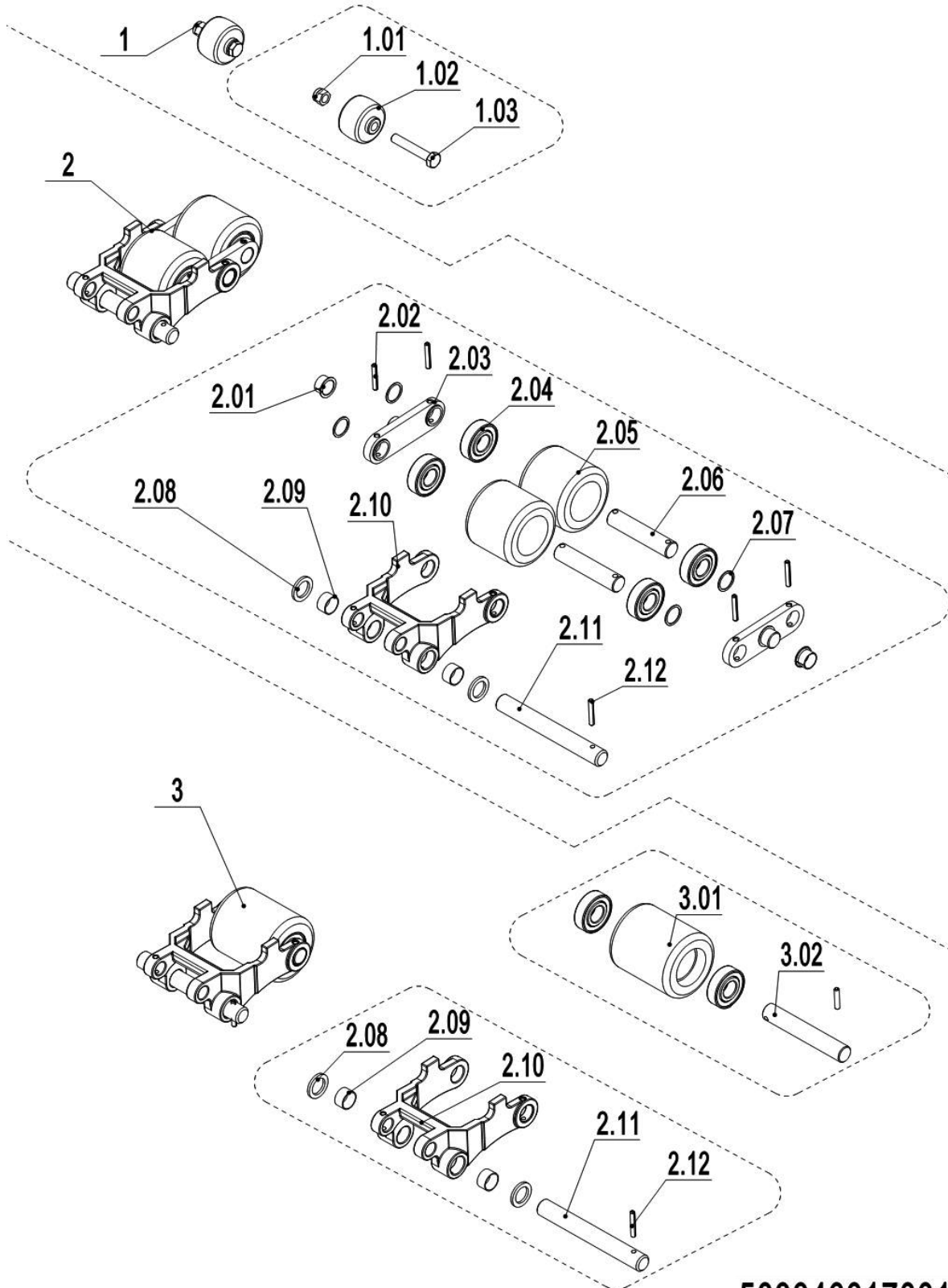
**04 Tiller (Semi-electric) (508846011006)**

No.	Part#	Description	Qty
--	PTE-922100100042	Tiller	1
1	PTE-508898520006	Handle Cap	1
2	PTE-508898510008	Button	1
3	PTE-508898510009	Accelerator	1
4	PTE-508898520005	Handle Cap	1

**04 Tiller (Semi-electric) (508846011006)**

No.	Part#	Description	Qty
5	PTE-508898510011	Switch Assembly	1

## 05 Load Wheel (508846017001)

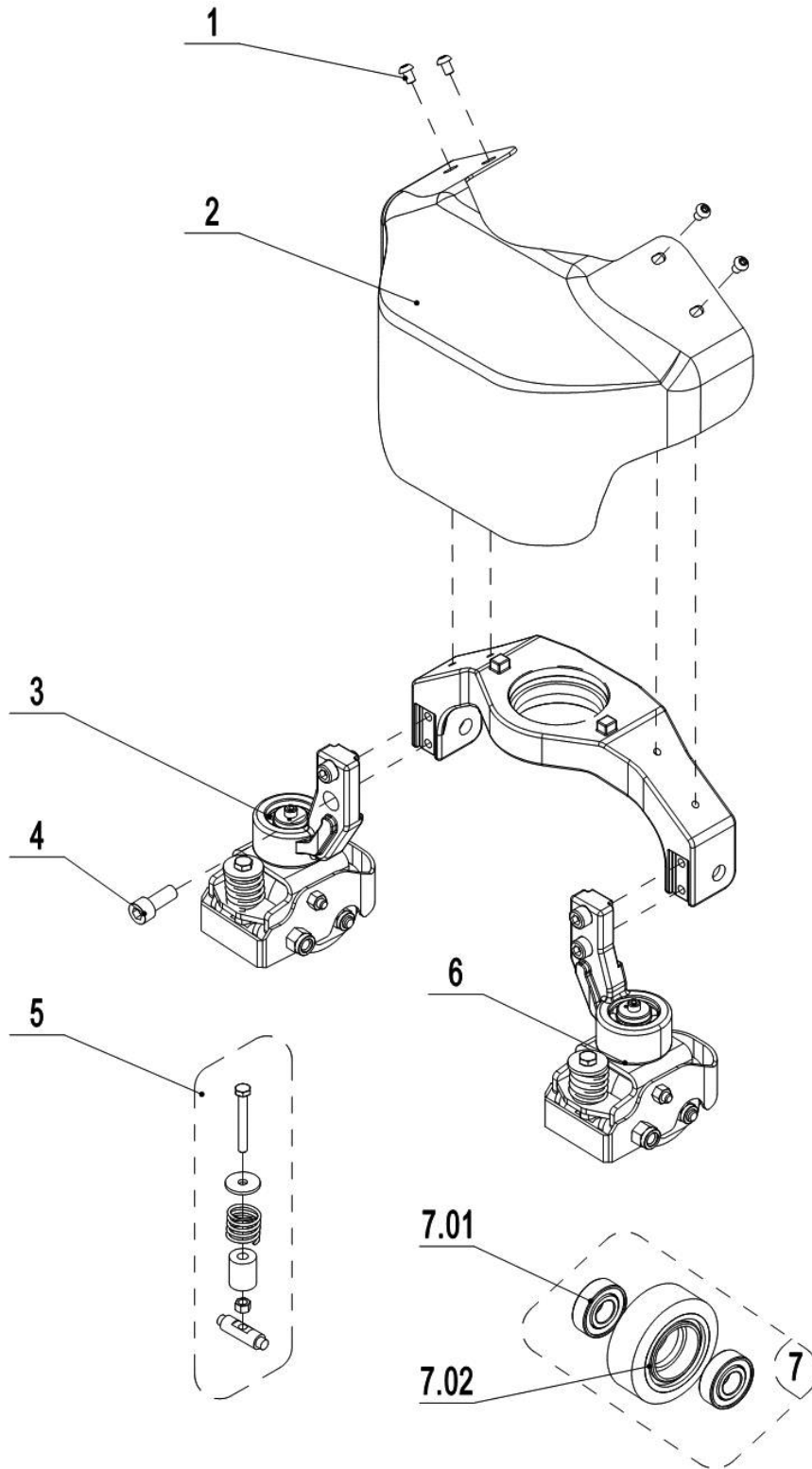


508846017001

**03 Tiller Unit (Semi-electric) (508846011005)**

No.	Part#	Description	Qty
1	PTE-502398510003	Pulley components	2
1.01	PTE-910300500005	Nut	2
1.02	PTE-505638520039	Running Pulley	2
1.03	PTE-941100200019	Bolt	2
2	PTE-508098510049	Wheel	2
2.01	PTE-940500200038	Bushing	4
2.02	PTE-910600400027	Spring Pin	8
2.03	PTE-502317020000	Plate	4
2.04	PTE-910700200019	Bearing	8/4
2.05	PTE-940300300005	Wheel 80x70	4
2.06	PTE-502317020001	Axle	4
2.07	PTE-940600500013	Washer 8/4	
2.08	PTE-325017020000	Washer	4
2.09	PTE-940500100088	Bushing	4
2.10	PTE-508038520110	Riser	2
2.11	PTE-508038520030	Axle	2
2.12	PTE-910600400025	Spring Pin	2
3	PTE-508098510050	Wheel	2
3.01	PTE-940300300023	Wheel 80x93	2
3.02	PTE-301017020001	Axle	2

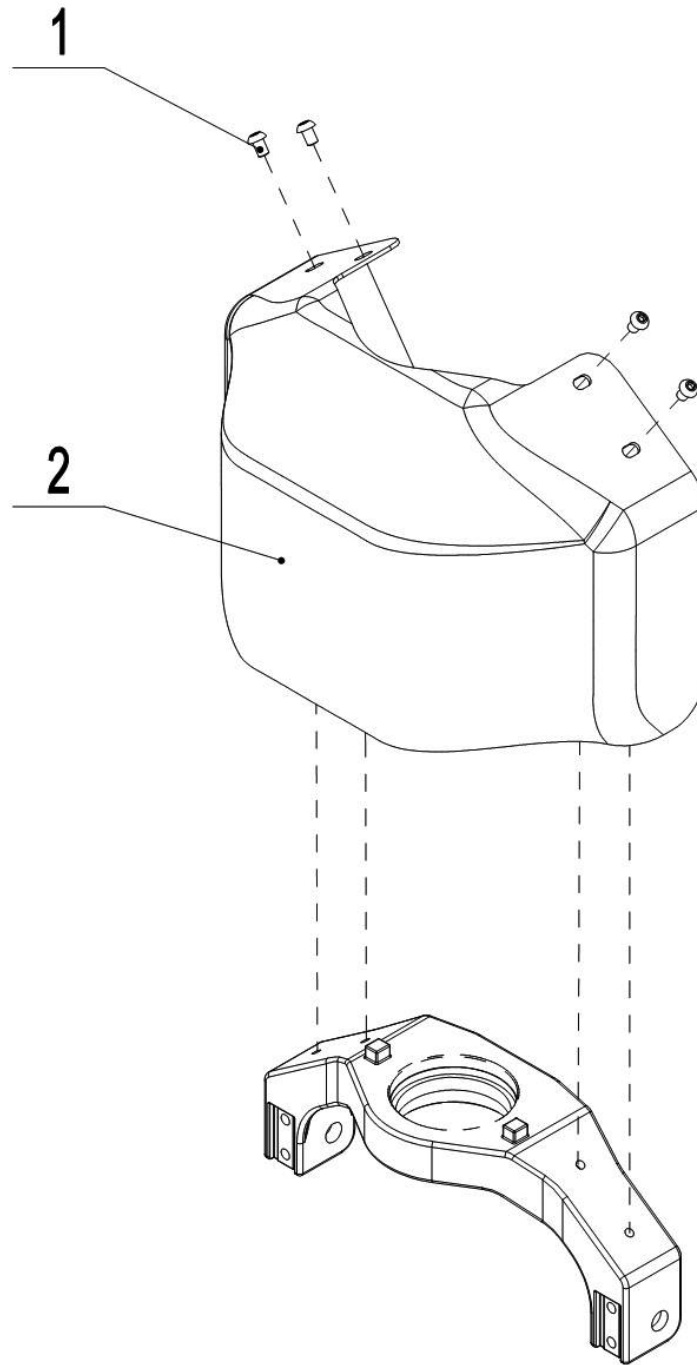
## 06 Caster (508846016501)



508846016501

**03 Tiller Unit (Semi-electric) (508846011005)**

No.	Part#	Description	Qty
1	PTE-910200300023	Screw	4
2	PTE-508816520001	Apron	1
2	PTE-508816520003	Apron	1
3	PTE-508016510002	Caster Assembly	1
4	PTE-910200200076	Screw	4
5	PTE-508098510047	Spring Components	2
6	PTE-508016510005	Caster Assembly	1
7	PTE-502398510015	Load Wheel Kit	2
7.01	PTE-910700200018	Bearing	4
7.02	PTE-940300300017	Wheel 80x30	2

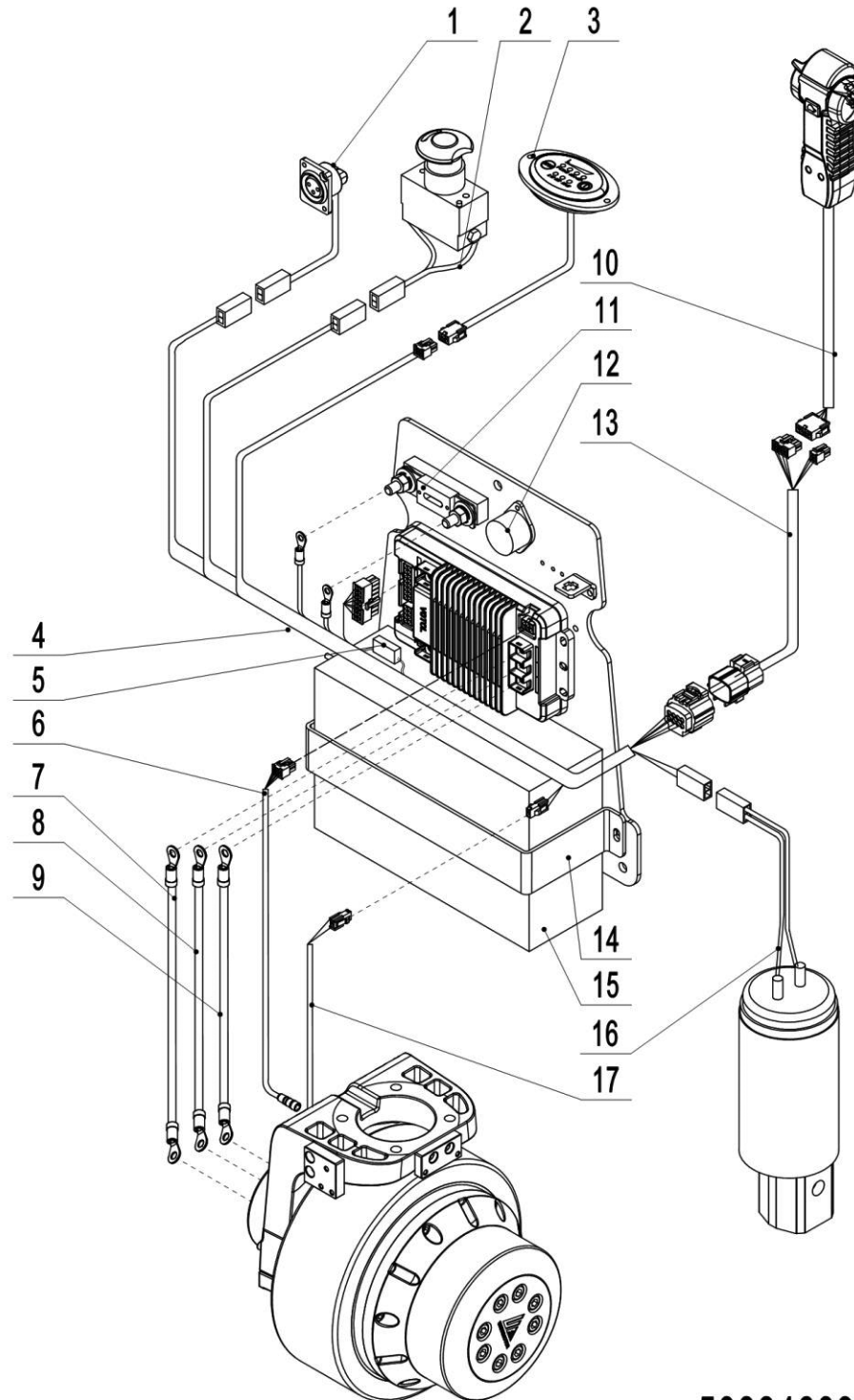


**03 Tiller Unit (Semi-electric) (508846011005)**

No.	Part#	Description	Qty
1	PTE-910200300023	Screw	4
2	PTE-508816520000	Apron	1
2	PTE-508816520002	Apron	1



## 01 Electrical Components (532046033001)

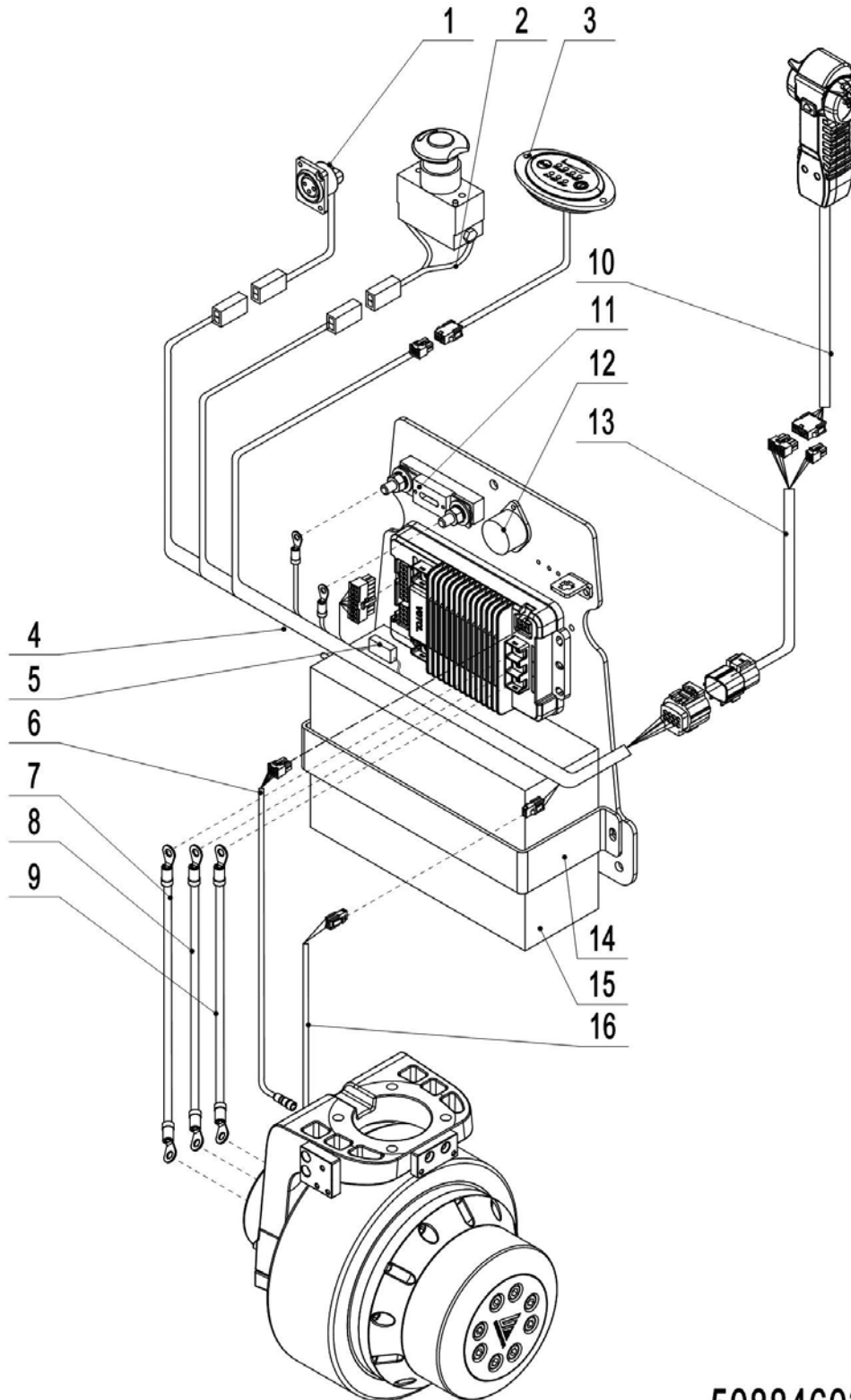


508846033001

**01 Electrical Components (532046033001)**

No.	Part#	Description	Qty
1	PTE-508833010007	Wire Harness	1
2	PTE-508833010004	Wire Harness	1
3	PTE-508833010009	Coulombmeter	1
4	PTE-508833010000	Wire Harness	1
5	PTE-920100200010	Fuse	1
6	PTE-508833010008	Wire Harness	1
7	PTE-508833010020	Wire Harness	1
8	PTE-508833010021	Cables	1
9	PTE-508833010022	Cables	1
10	PTE-508833010001	Wire Harness	1
11	PTE-920100100001	Fuse	1
12	PTE-920500100010	Horn	1
13	PTE-508833010002	Wire Harness	1
14	PTE-508833020001	Fixing Plate	1
14	PTE-508833020001	Fixing Plate	1
15	PTE-920600100099	LiBattery48V12Ah	1
15	PTE-920600100140	Li Battery48V12Ah	1
16	PTE-508833010003	Wire Harness	1
17	PTE-508833010005	Wire Harness	1

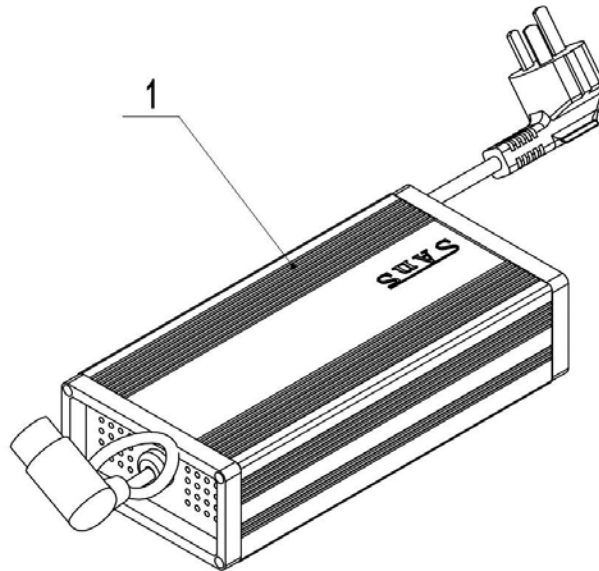
## 02 Electrical Components (Semi-electric) (508846033002)



508846033002

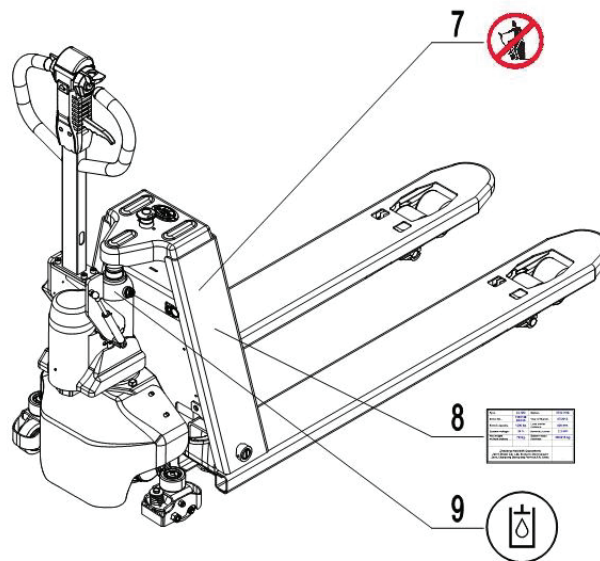
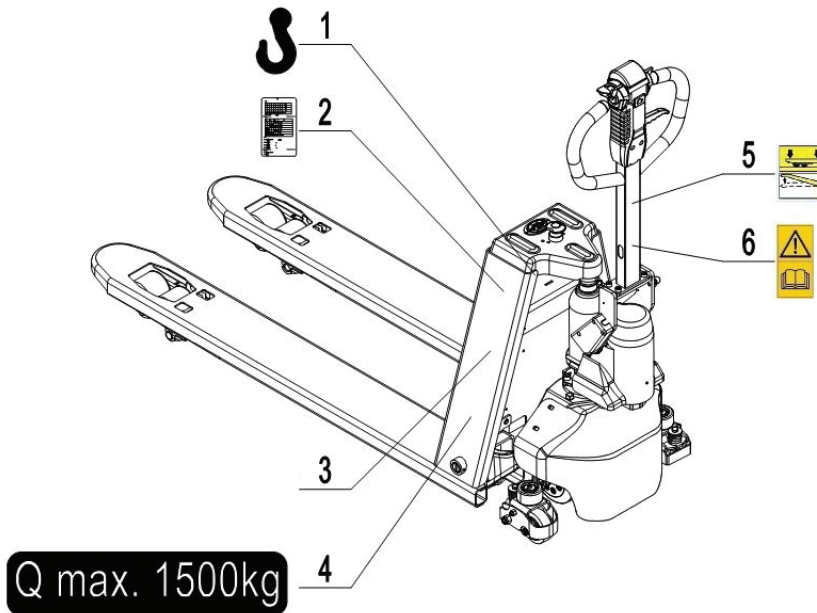
**02 Electrical Components (Semi-electric) (508846033002)**

No.	Part#	Description	Qty
1	PTE-508833010007	Wire Harness	1
2	PTE-508833010004	Wire Harness	1
3	PTE-508833010009	Coulombmeter	1
4	PTE-508833010019	Wire Harness	1
5	PTE-920100200010	Fuse	1
6	PTE-508833010008	Wire Harness	1
7	PTE-508833010020	Wire Harness	1
8	PTE-508833010021	Cables	1
9	PTE-508833010022	Cables	1
10	PTE-508833010015	Wire Harness	1
11	PTE-920100100001	Fuse	1
12	PTE-920500100010	Horn	1
13	PTE-508833010002	Wire Harness	1
14	PTE-508833020001	Fixing Plate	1
14	PTE-508833020001	Fixing Plate	1
15	PTE-920600100099	Li Battery48V12Ah	1
15	PTE-920600100140	Li Battery48V12Ah	1
16	PTE-508833010005	Wire Harness	1



**03 Charger (508846036501)**

No.	Part#	Description	Qty
1	PTE-921000200434	Charger 48V3A (Aisa-CHN)	1
1	PTE-921000200453	Charger 48V3A (Aisa-ENG)	1
1	PTE-921000200454	Charger 48V3A (ENG)	1
1	PTE-921000200455	Charger 48V3A (USA)	1
1	PTE-921000200456	Charger 48V3A (EU)	1
1	PTE-921000200457	Charger 48V3A (AUS)	1
1	PTE-921000200457	Charger 48V3A (AUS)	1
1	PTE-921000200458	Charger 48V3A (ITA)	1
1	PTE-921000200460	Charger 48V3A (ISR)	1
1	PTE-921000200461	Charger 48V3A (BRA)	1
1	PTE-921000200462	Charger 48V3A (ARG)	1

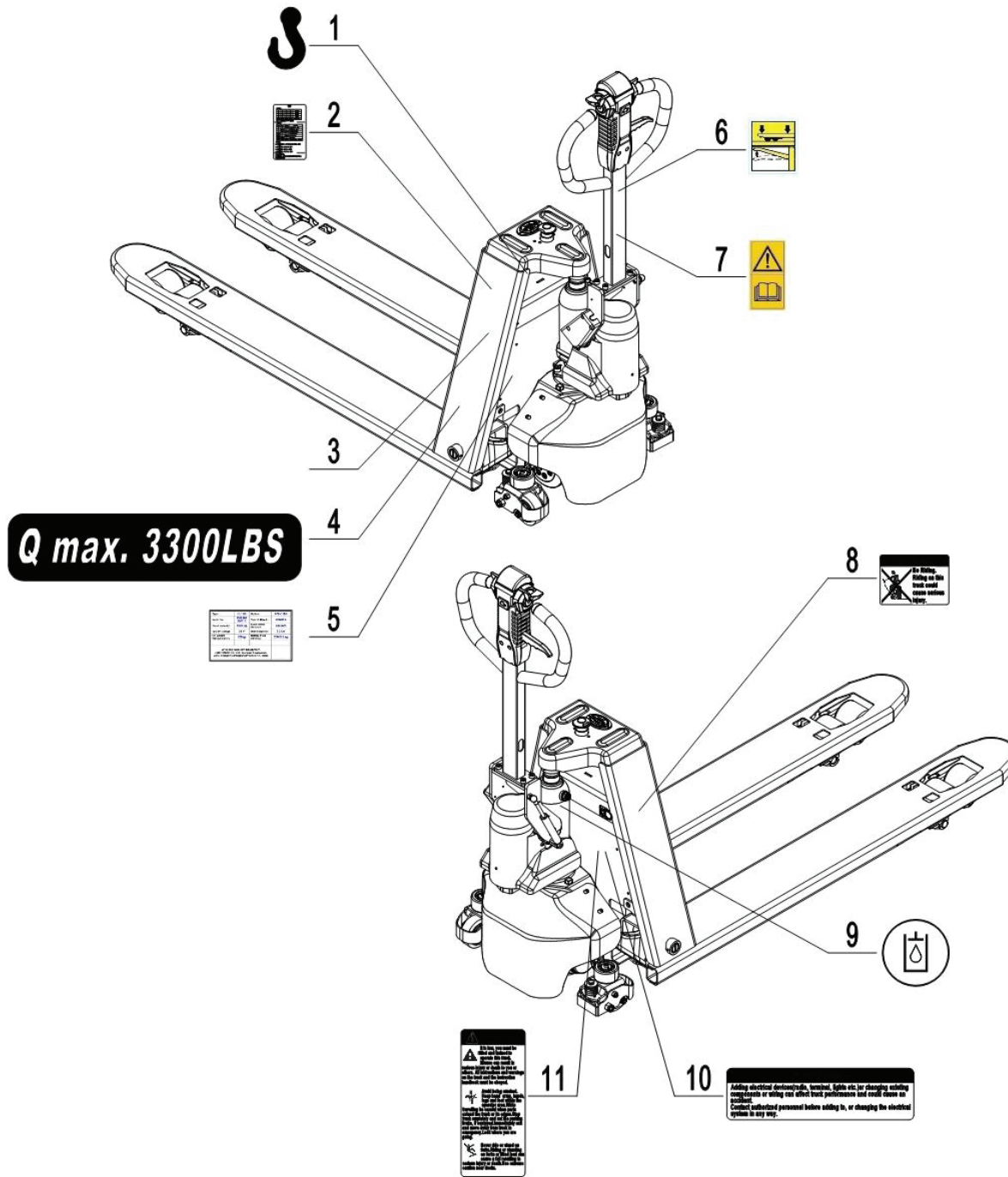


**01 Labels and Decals (508846047001)**

No.	Part#	Description	Qty
1	PTE-941200300001	Label	2
2	PTE-508847020001	Label	1
3			
4	PTE-941200200009	Label	2
5	PTE-941200400001	Label	1

**01 Labels and Decals (508846047001)**

No.	Part#	Description	Qty
6	PTE-941200300002	Label	1
7	PTE-941200100003	Label	1
8	PTE-508847520000	Truck data plate	1
9	PTE-941200300003	Label	1



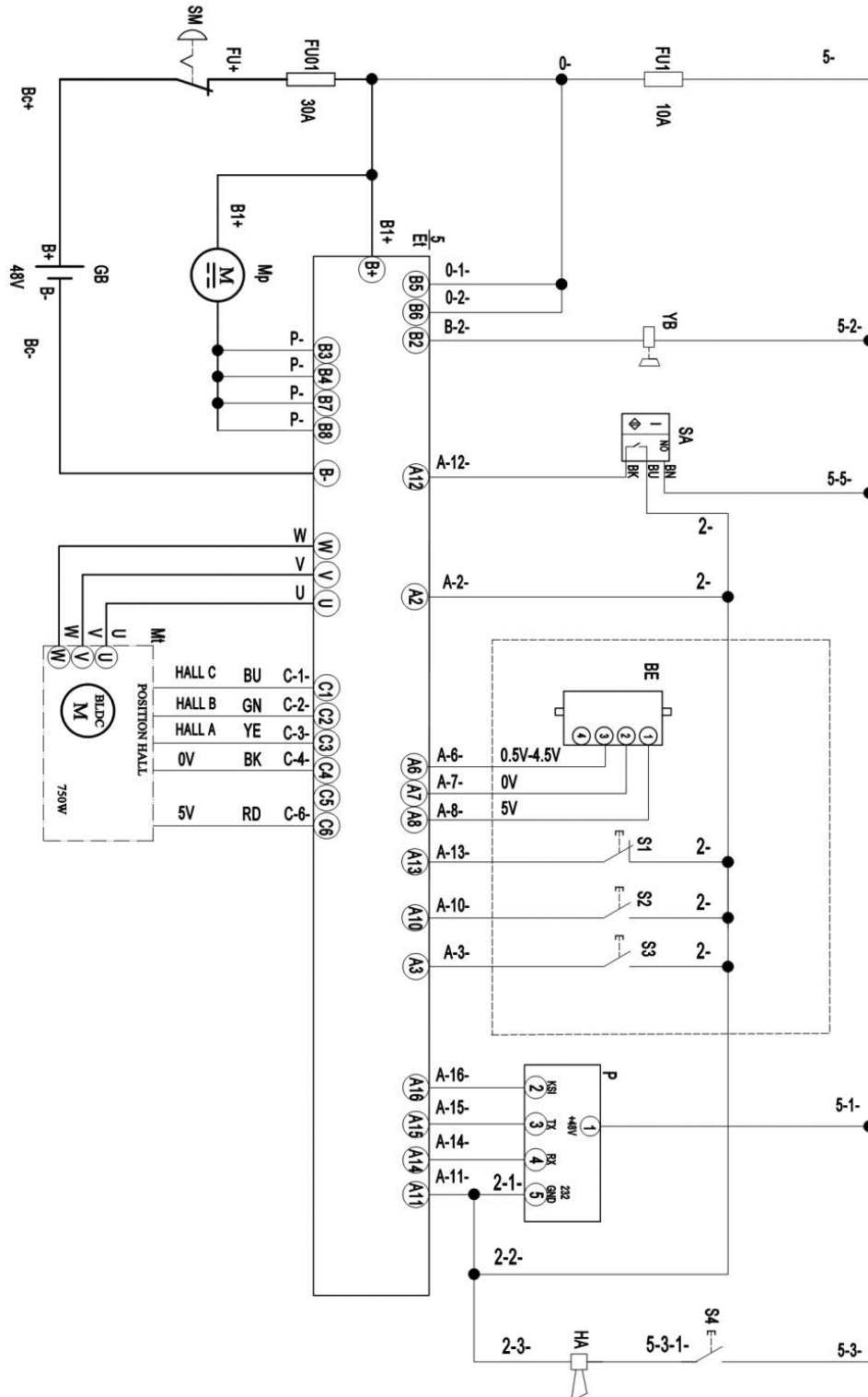
### 02 Labels and Decals (USA) (508846047002)

No.	Part#	Description	Qty
1	PTE-941200300001	Label	2
2	PTE-508847020001	Label	2
3			
4	PTE-941200200035	Label	1
5	PTE-508847520001	Truck data plate	1
6	PTE-941200400001	Label	1

### 02 Labels and Decals (USA) (508846047002)

No.	Part#	Description	Qty
7	PTE-941200300002	Label	1
8	PTE-941200100011	Label	1
9	PTE-941200300003	Label	1
10	PTE-941200100010	Label	2
11	PTE-941200100009	Label	2

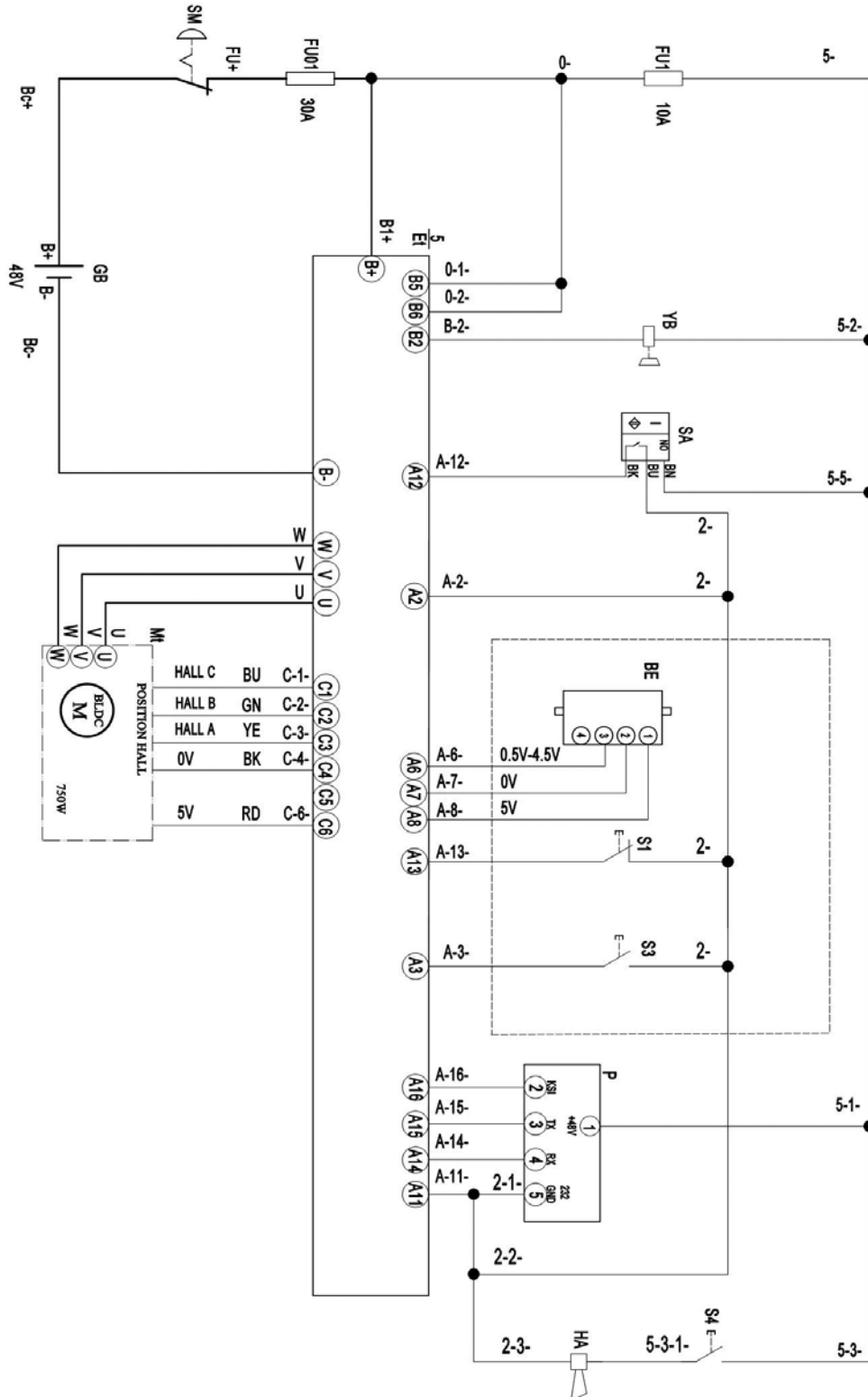
**01 Electrical Circuit Diagram (Electric)**



508846045501

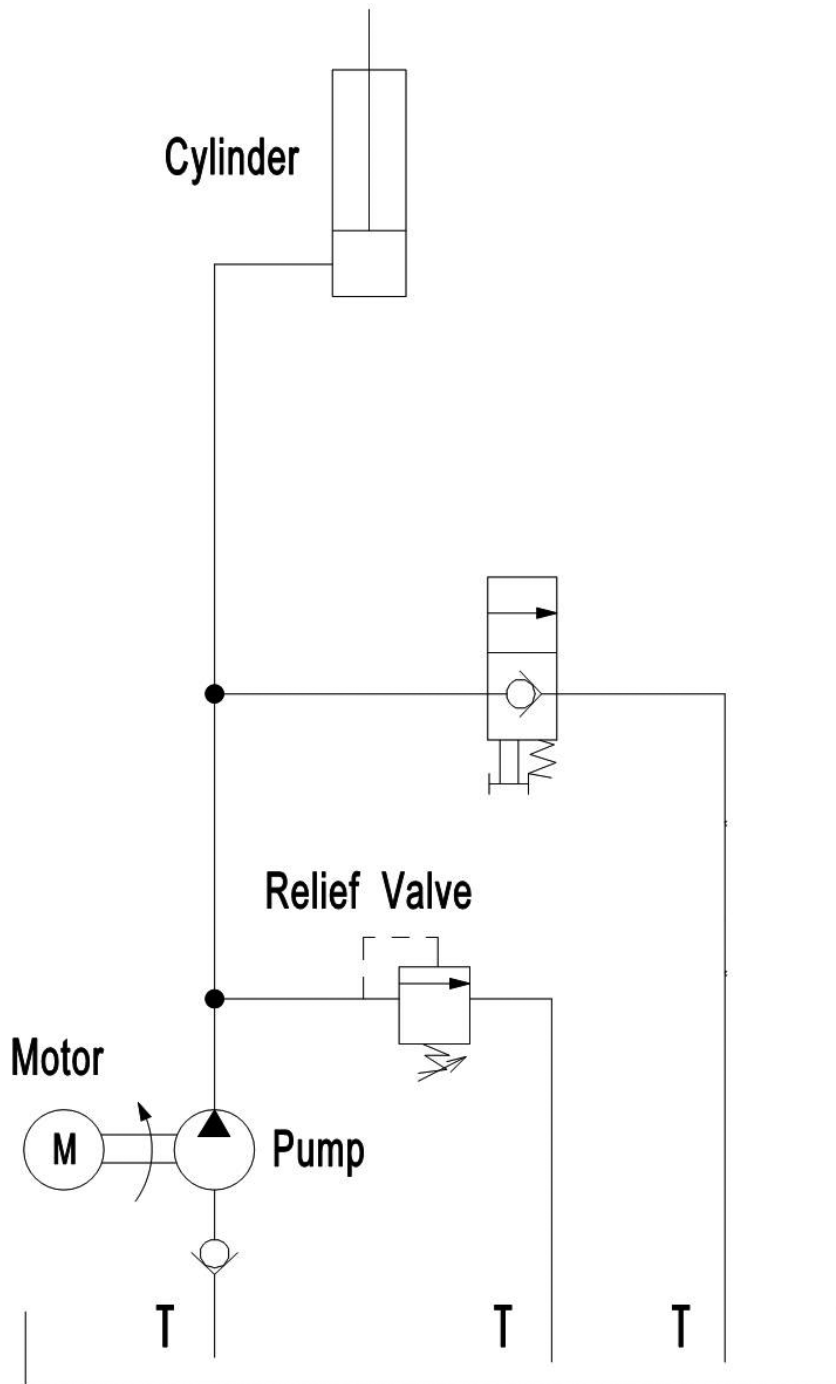


**02 Electrical Circuit Diagram (Semi-electric)**



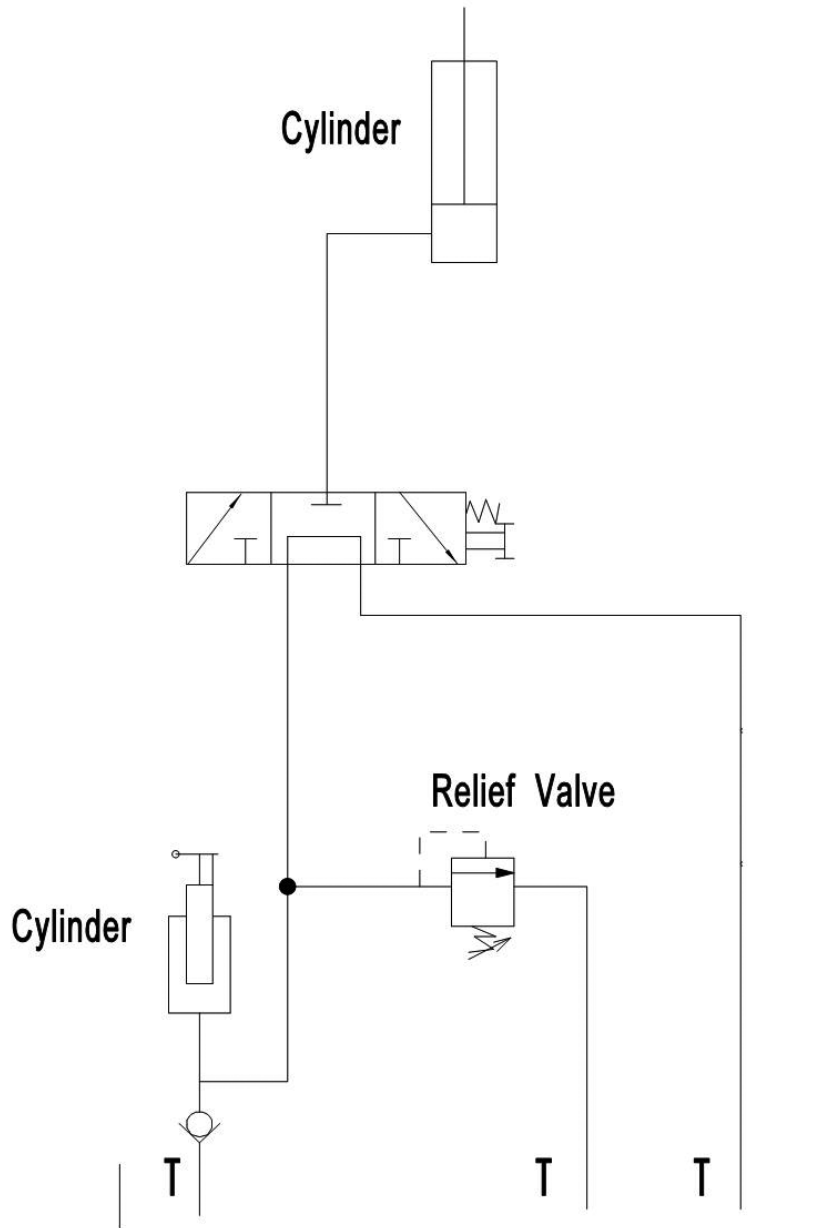
508846045502

## 03 Hydraulic Circuit Diagram (Electric)



508846045505

## 04 Hydraulic Circuit Diagram (Semi-electric)



508846045506

**05 Consumable Parts List**

No.	Part#	Description	Qty
1	PTE-940300300023	Wheel 80x93	2
2	PTE-910700200019	Bearing	8
2	PTE-910700200019	Bearing	
3	PTE-940400100026	Air Spring	1
4	PTE-532098510010	Seal Kit	1
5	PTE-920100100007	Fuse	1
6	PTE-920100100003	Fuse	1
7	PTE-920100200002	Fuse	1
8	PTE-920100300001	Fuse	1
9	PTE-502333010017	Fault Display Assembly	1
10	PTE-920800100003	Relay	1
11	PTE-502311010007	Microswitch Kits	1
12	PTE-502311010008	Microswitch Kits	1
13	PTE-532011010004	Proximity Switch	2
14	PTE-532021510032	Proximity Switch	1
15	PTE-920200100004	Emergency Button	1
16	PTE-921700100010	Accelerator	1
16	PTE-921700100001	Accelerator	1
17	PTE-920200300001	Microswitch	1
18	PTE-506534010000	Wire Harness	1