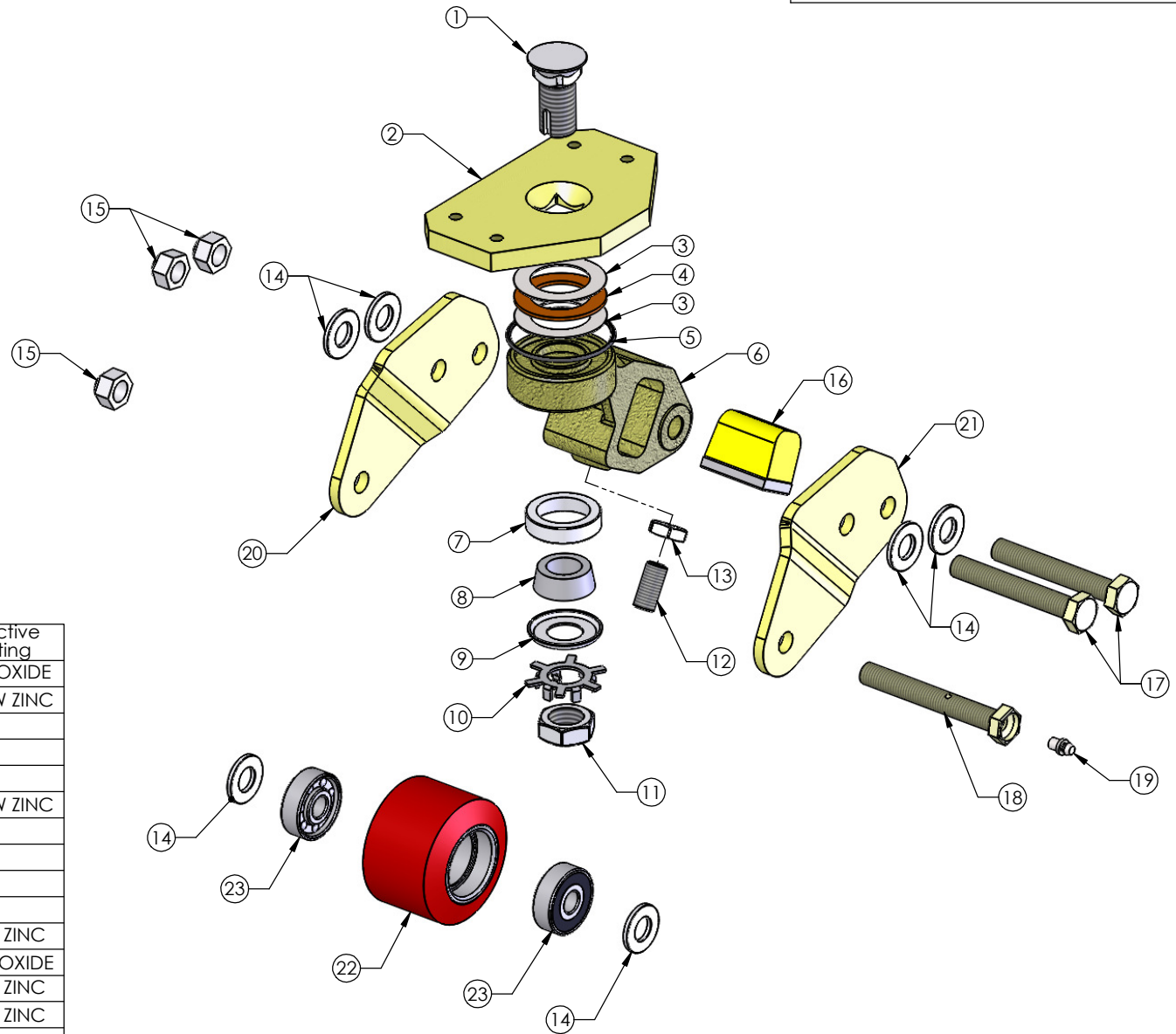


CAL. WT. 8.6 LBS.

DATE	SYM.	REVISION RECORD	AUTH.	DR.	TOLERANCE (EXCEPT AS NOTED)	ITEM NUMBER	SCALE	DRAWN BY.	P.D.
09-16-13	A	RELEASE DATE	D.B.	P.D.	DECIMAL + .030	STRO1633	NONE	APPROVED BY.	P.D.
					FRACTIONAL + 1/16"	ITEM DESCRIPTION SUPERIOR TIRE MODEL # 1633 CASTER ASSEMBLY			
					ANGULAR + 1°	DATE	DRAWING NUMBER		
						06-19-13	SHEET 1 OF 3	STR 1633	

THE INFORMATION CONTAINED IN THIS DRAWING IS THE SOLE PROPERTY OF SUPERIOR TIRE & RUBBER CORP. ANY REPRODUCTION IN PART OR WHOLE WITHOUT THE WRITTEN PERMISSION OF SUPERIOR TIRE & RUBBER CORP. IS PROHIBITED.

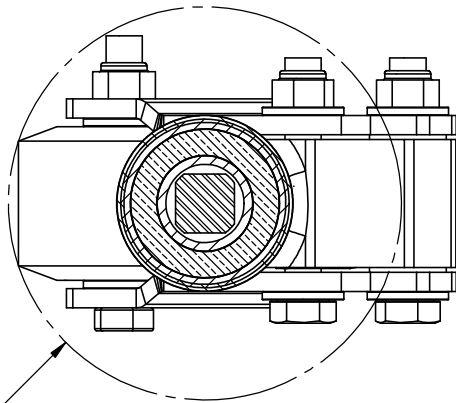


ITEM NO.	QTY.	FILE NUMBER & DESCRIPTION	Protective Coating
1	1	94807516175pbslt SLOTTED PLOW_BOLT	BLACK OXIDE
2	1	STR1630-2 MOUNTING PLATE	YELLOW ZINC
3	2	94btwa2031 WASHER	
4	1	94b1937 OILITE THRUST	
5	1	94s136B46 O-RING	
6	1	STR1500-13 CAST HOUSING	YELLOW ZINC
7	1	94ba6157-tim CUP	
8	1	94ba6075 CONE	
9	1	94ba6157cap BEARING CAP	
10	1	94w00750tblw TABBED LOCK WASHER	
11	1	94n2075016jh JAM NUT	SILVER ZINC
12	1	94mb12125025-1 SET SCREW	BLACK OXIDE
13	1	94mn12125jhn JAM NUT	SILVER ZINC
14	6	94w2026 1-2in WASHER	SILVER ZINC
15	3	94mn12175nLhn NYLOCK NUT	SILVER ZINC
16	1	STR1650-9 POLY CENTER	
17	2	94mb12175080-1 FULL SHOULDER	YELLOW ZINC
18	1	STR1630-12FS	SILVER ZINC
19	1	94zA1743-B ZERK	SILVER ZINC
20	1	96STR1630-1R SIDEPLATE	YELLOW ZINC
21	1	96STR1630-1L SIDEPLATE	YELLOW ZINC
22	1	S-4001 TIRE	
23	2	94b6301-1rs BEARING	
24	1	9400250-010 FLATBAR	

WHEEL MATERIAL OPTIONS CHART	
PART #	MATERIAL / DUROMETER
STR01633	STD COMPOUND - 95 +/-3 SHORE A
STR31633	EZ COMPOUND - 85 +/-3 SHORE A
STR51633	XL COMPOUND - 96 +/-3 SHORE A
STR01633SC	STATIC CONDUCTIVE STD - 95 +/-3 SHORE A

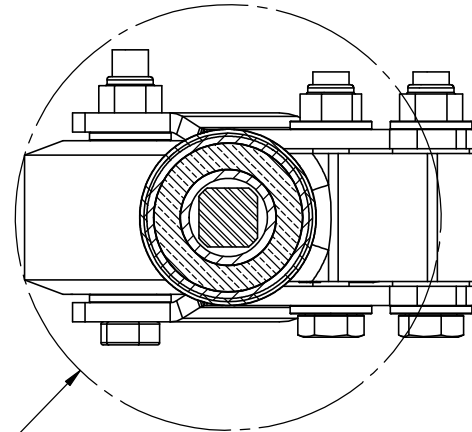
DATE	SYM.	REVISION RECORD	AUTH.	DR.	TOLERANCE (EXCEPT AS NOTED)	ITEM NUMBER	SCALE	DRAWN BY.	P.D.
		SEE SHEET 1			DECIMAL + .030	STR01633	NONE		P.D.
					FRACTIONAL + 1/16"	ITEM DESCRIPTION SUPERIOR TIRE MODEL # 1633 CASTER ASSEMBLY			
					ANGULAR + 1°	DATE 09-16-13	DRAWING NUMBER SHEET 2 OF 3	STR 1633	

THE INFORMATION CONTAINED IN THIS DRAWING IS THE SOLE PROPERTY OF SUPERIOR TIRE & RUBBER CORP. ANY REPRODUCTION IN PART OR WHOLE WITHOUT THE WRITTEN PERMISSION OF SUPERIOR TIRE & RUBBER CORP. IS PROHIBITED.



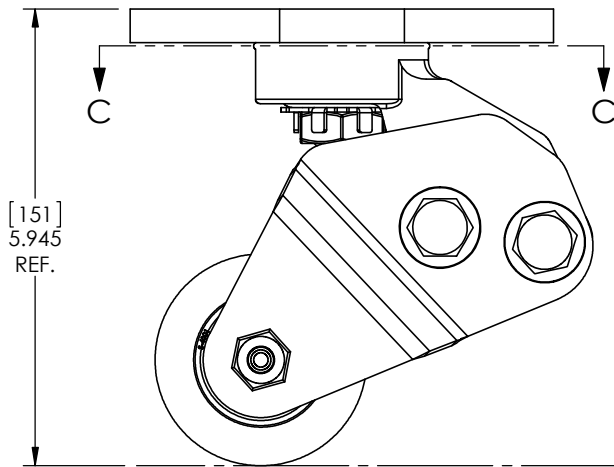
[65.03]
R2.560
REF.

SECTION C-C



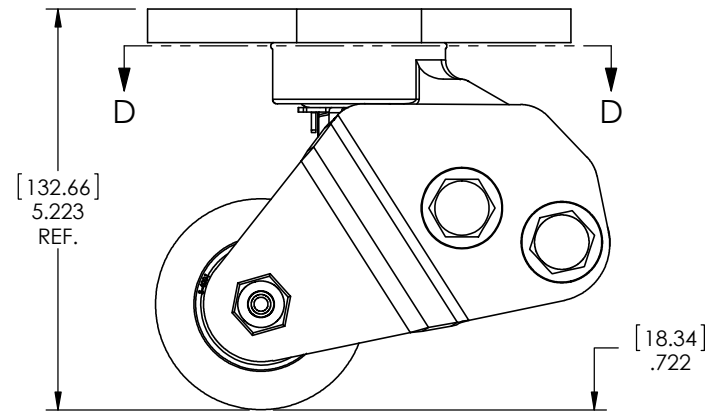
[70.41]
R2.772
REF.

SECTION D-D



[151]
5.945
REF.

ASSEMBLED HEIGHT



[132.66]
5.223
REF.

[18.34]
.722

FULLY DEFLECTED HEIGHT

DATE	SYM.	REVISION RECORD	AUTH.	DR.	TOLERANCE (EXCEPT AS NOTED)	ITEM NUMBER	SCALE	DRAWN BY.	P.D.
		SEE SHEET 1			DECIMAL + .030	STR01633	NONE		P.D.
					FRACTIONAL + 1/16"	ITEM DESCRIPTION SUPERIOR TIRE MODEL # 1633 CASTER ASSEMBLY			
					ANGULAR + 1°	DATE 09-16-13	DRAWING NUMBER SHEET 3 OF 3	STR 1633	