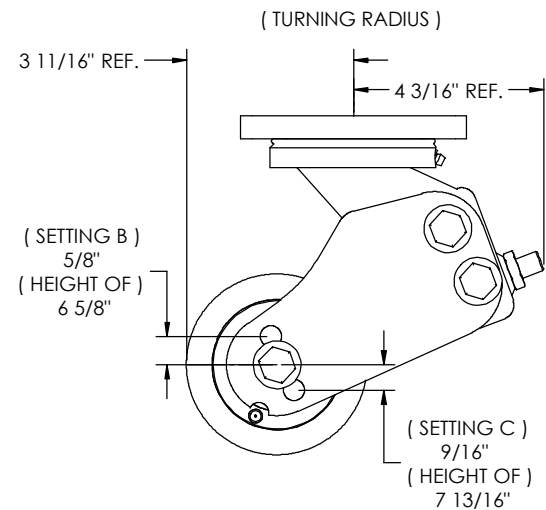
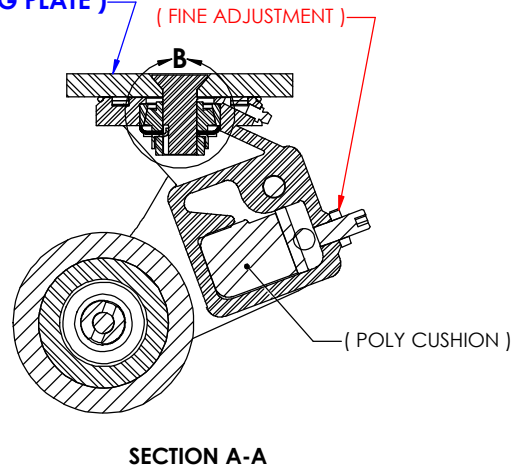
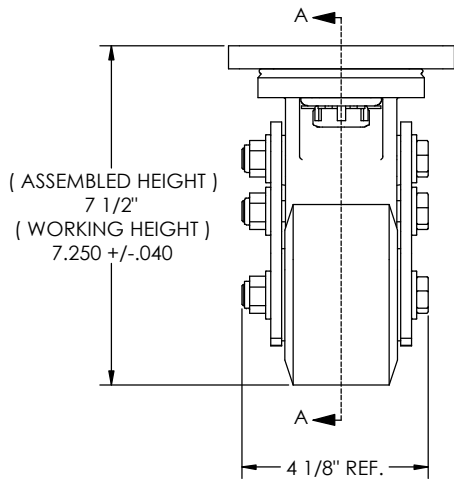
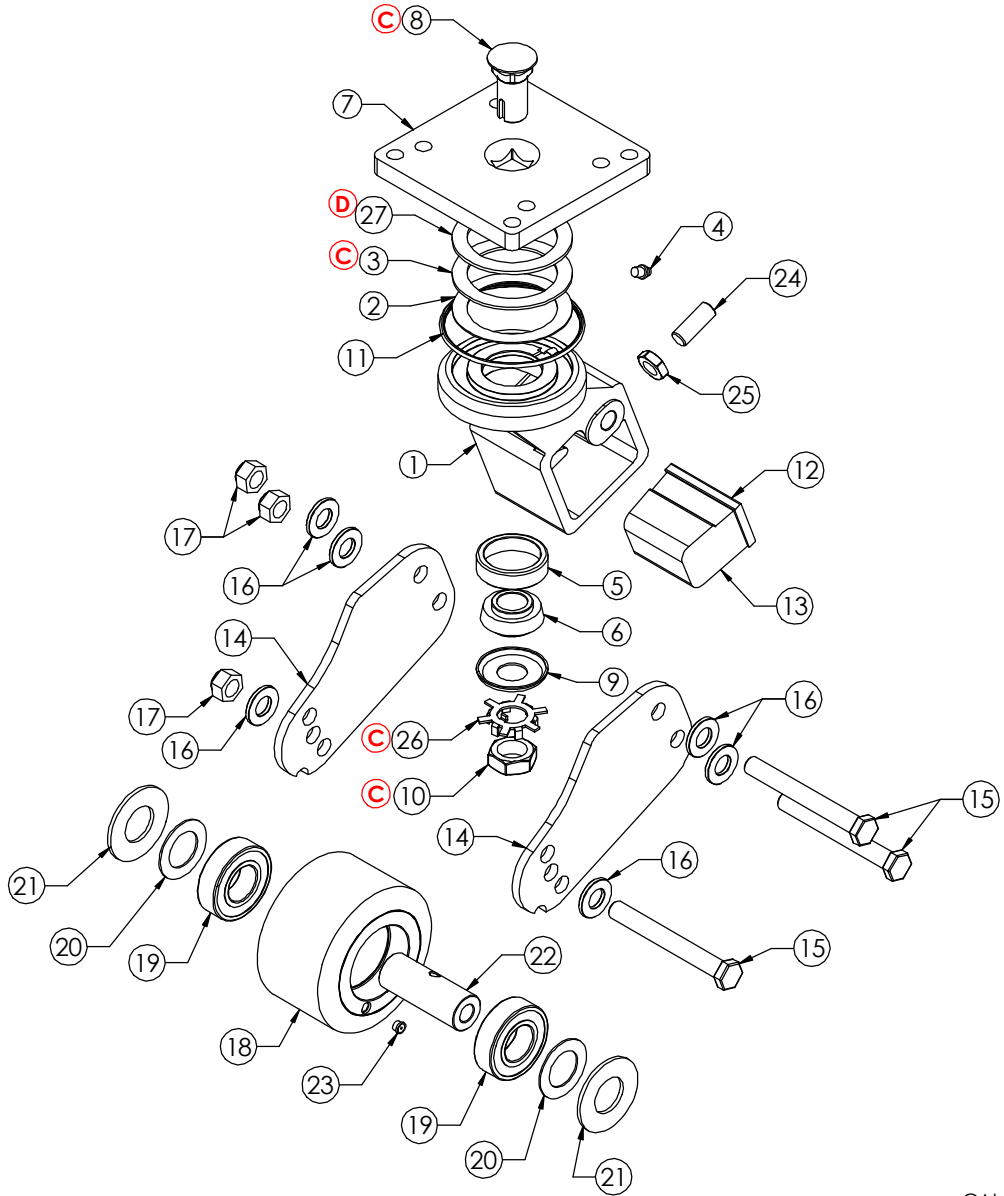
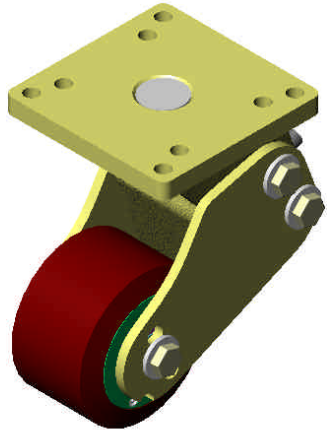


(THIS MOUNTING PLATE SHOULD WORK WITH ALL CROWN)
 (EQUIPMENT OLD & NEW - DUAL MOUNTING PATTERN)
(STR2000-2CR2 MOUNTING PLATE)



CAL. WT. 15.7 LBS.



| ITEM NO. | QTY. | FILE NUMBER & DESCRIPTION | Protective Coating |
|----------|------|------------------------------------|--------------------|
| 1 | 1 | STR2000-13 CAST HOUSING Rev D | YELLOW ZINC |
| 2 | D1 | 94btwa3648 WASHER | |
| 3 | 1 | 94b2250 OILITE_THRUST | |
| 4 | 1 | 94znissan ZERK | SILVER ZINC |
| 5 | 1 | 94blm11910-tim CUP | |
| 6 | 1 | 94blm11949 CONE | |
| 7 | 1 | STR2000-2CR2 | |
| 8 | 1 | 94807516175pbslf SLOTTED PLOW_BOLT | BLACK OXIDE |
| 9 | 1 | 94blm11910cap BEARING CAP | |
| 10 | 1 | 94n2075016jh JAM NUT | SILVER ZINC |
| 11 | 1 | 94s2-237 O-RING | |
| 12 | 1 | 9400250-015 FLATBAR | |
| 13 | 1 | STR2000-9 POLY CENTER | |
| 14 | 2 | STR2000-1 SIDEPLATE | YELLOW ZINC |
| 15 | 3 | 94mb12175100-1 FULL SHOULDER | YELLOW ZINC |
| 16 | 6 | 94w2026 1-2in WASHER | SILVER ZINC |
| 17 | 3 | 94mn12175nLhn NYLOCK NUT | SILVER ZINC |
| 18 | 1 | SP-0955 TIRE | |
| 19 | 2 | 94b6205-2rs BEARING | |
| 20 | 2 | 94wstr2000-8 SPACER WASHER | |
| 21 | 2 | 94wSTRING | |
| 22 | 1 | STR2000-5 BUSHING | |
| 23 | 1 | 94zSP0955 ZERK | |
| 24 | 1 | 94mb12125030-1 SET SCREW | BLACK OXIDE |
| 25 | 1 | 94mn12125jhn JAM NUT | SILVER ZINC |
| 26 | 1 | 94w00750tblw TABBED LOCK WASHER | |
| 27 | 1 | 94btwc3648 WASHER | |

CAL. WT. 15.7 LBS.

D