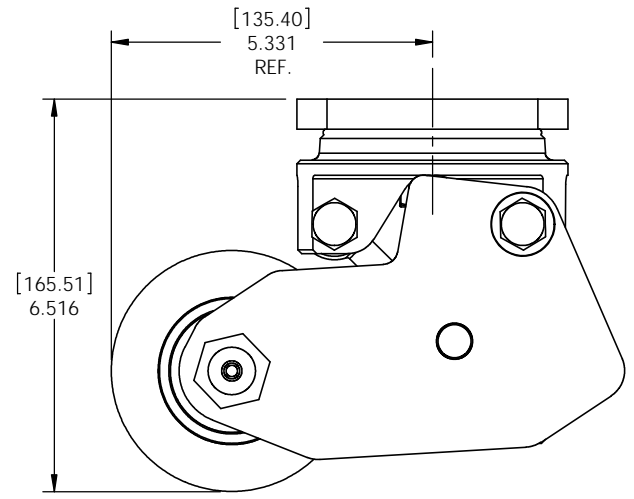


HIGHEST ADJUSTABLE HEIGHT

ASSEMBLED HEIGHT

LOWEST ADJUSTABLE HEIGHT



COMPLETELY DEFLECTED HEIGHT