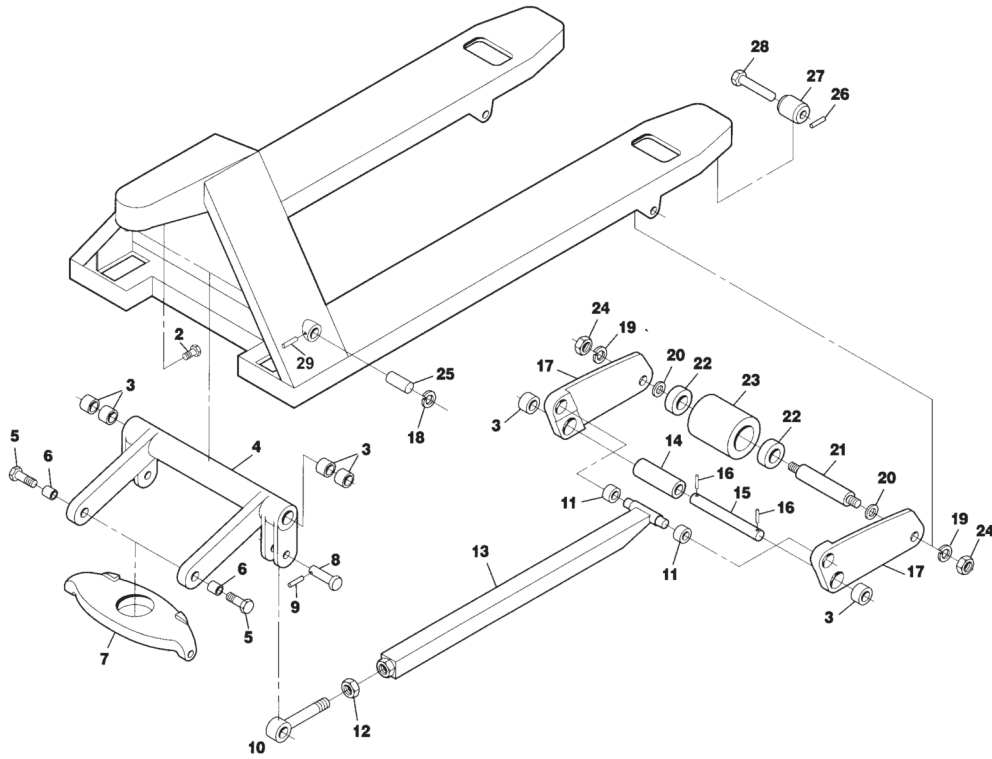


# PALLET JACK PARTS

## Eagleman A Frame

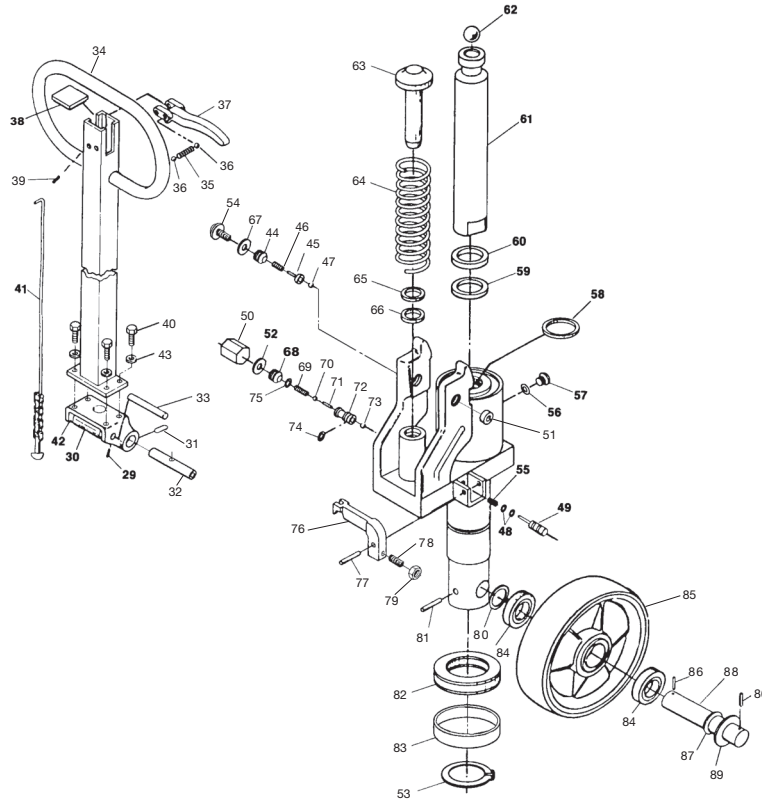


## Eagleman A Frame

Item#	Part#	Description	Item#	Part#	Description
2	A102	Lock Bolt			
3	A103	Bushing			
4	A104	Torsion Tube			
5	A105	Shoulder Bolt			
6	A106	Bushing			
7	A107	Traverse			
8	A108-New	Pin			
9	A109-New	Cotter Pin			
10	A110	Eye Bolt with Bushing			
11	A111	Bushing			
12	A112	Lock Nut			
13	A113	Push Rod, 48" Forks			
14	A114	Exit Roller			
15	A115	Pivot Axle			
16	A116	Roll Pin			
17	A117	L/R Bracket (Pair, Includes Bushing)			
18	A118	Snap Ring			
19	A119	Lock Washer			
20	A120	Washer			
21	A121	Load Shaft			
22	A122	Bearing			
23	A123-B	Load Roller Assembly, Red Ultra Poly On Aluminum Hub W/ Bearings, 3" Dia.			
	A123-A	Load Roller Assembly, Black Ultra Poly On Steel Hub W/ Bearings, 3" Dia.			
	A123-C	Load Roller Assembly, Nylon W/ Bearings, 3" Dia.			
	A123-D	Load Roller Assembly, Steel W/ Bearings, 3" Dia.			
24	A124	Lock Nut			
25	A125	Pin			
26	A126	Cotter Pin			
27	A127	Entry Roller			
28	A128	Entry Roller Shaft			
29	A190	Roll Pin			

# PALLET JACK PARTS

## Eagleman A Hydraulic Unit



## Eagleman A Hydraulic Unit

Item#	Part#	Description	Item#	Part#	Description
29	A129	Pin	67 C	A167	O-Ring
30	A130	Roller	68 B	A168	Plug Bolt
31	A131	Roll Pin	69 B	A169	Spring
32	A132	Handle Axle	70 B	A170	Ball
33	A133	Roller Pin	71 B	A171	Pin
34	A134	Handle Frame	72 B	A172	Valve
	A194	Handle Assembly	73 B	A173	Ball
35	A135	Spring	74 B	A174	O-Ring
36	A136	Ball	75 B	A175	O-Ring
37	A137	Control Lever	76	A176	Release Valve Lever
38	A138	Cap	77	A177	Roll Pin
39	A139	Roll Pin	78	A178	Adjust Screw
40	A140	Bolt	79	A179	Lock Nut
41	A141	Rod and Chain (Orange Jack)	80	A180	Washer
	A141-New	Rod and Chain (Grey Jack)	81	A181	Roll Pin
42	A142	Bracket	82	A182	Thrust Bearing
43	A143	Lock Washer	83	A183	Bearing Holder
44 C	A144	Plug	84	A184	Bearing
45 C	A145	Overload Valve	85	A185-A	Steer Wheel Assembly, Red Ultra Poly On Aluminum Hub W/ Bearings, 8" Dia.
46 C	A146	Spring		A185-B	Steer Wheel Assembly, Poly On Nylon Hub W/ Bearings, 8" Dia.
47 C	A147	Ball		A185-C	Steer Wheel Assembly, Nylon W/ Bearings, 8" Dia.
48	A148	O-Ring		A185-D	Steer Wheel Assembly, Steel W/ Bearings, 8" Dia.
49	A149	Release Valve	86	A186	Roll Pin
50	A150	Nut	87	A187	Washer
51	A151	Bushing	88	A188	Steer Wheel Axle
52 B	A152	Washer	89	A189	Washer
53	A153	Snap Ring	KITS A	A191	Seal Kit
54	A154	Plug Bolt	KITS B	A192	Valve Kit
55	A155	Spring	KITS C	A193	Overload Kit
56	A156	O-Ring		HU EA A195	Rebuilt Hydraulic Unit - Exchange
57	A157	Filler Screw			
58	A A158	Top Seal			
59	A A159	Bottom Seal			
60	A A160	Wiper			
61	A161	Lift Piston			
62	A162	Ball			
63	A163	Piston			
64	A164	Spring			
65 A	A165	Wiper			
66 A	A166	Seal			