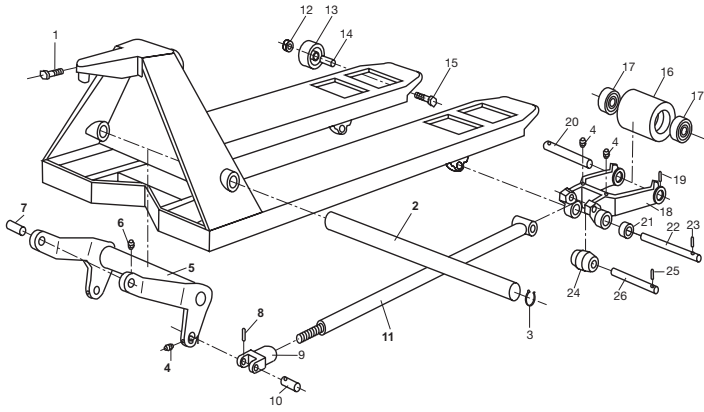
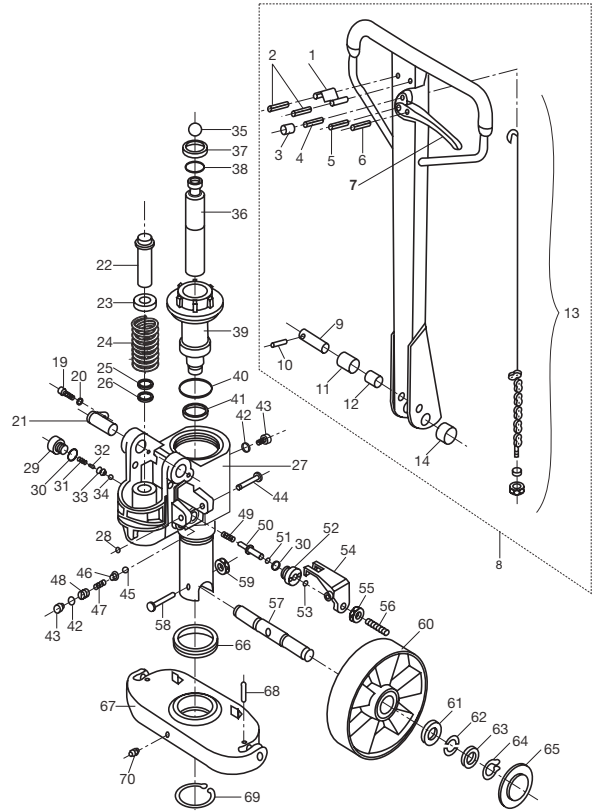


PALLET JACK PARTS

Mobile ECO I-55 Frame



Mobile ECO I-55 Hydraulic Unit



Mobile ECO I-55 Frame

Item#	Part#	Description
1	120E42	Bulkhead Bolt
2	120E20	Bell Crank Shaft
3	120E21	Locking Ring
4	120E15	Grease Fitting (Threaded)
5	120E43	Lifting Link, 27" Wide Jack
6	120E22	Oiler
7	120E14	Bell Crank Pin
8	120E16	Roll Pin
9	120E17	Joint
10	120E18	Joint Pin
11	120E19	Push Rod
12	120E39	Nut
13	120E38	Entry Roller
14	120E37	Sleeve
15	120E36	Bolt, Front Guide Roller

Item#	Part#	Description
16	120E35-A-D	Load Roller Assembly, Red Ultra Poly On Aluminum Hub W/ Bearings, 20 mm Bearing ID
	120E35-A	Load Roller Assembly, Black Ultra Poly On Steel Hub W/ Bearings, 20 mm Bearing ID
	120E35N-A	Load Roller Assembly, Nylon W/ Bearings, 20 mm Bearing ID
	120E35S-A	Load Roller Assembly, Steel W/ Bearings
	GWK-ECO-LW	Load Wheel Kit, Includes (2) Load Roller Assy W/ Bearings, Axles and Fasteners
17	120E9	Bearing
18	120E31	Hanger Bracket
19	120E30	Roll Pin
20	120E29	Roller Axle
21	120E28	Rear Guide Roller
22	120E26	Hanger Axle

Item#	Part#	Description
23	120E27	Roll Pin
24	120E23	Exit Roller
25	120E24	Roll Pin
26	120E25	Push Rod Axle

Mobile ECO I-55 Hydraulic Unit

Item#	Part#	Description
1	12E101	Control Handle Spring
2	12E102	Roll Pin
3	12E103	Control Handle Roller
4	12E104	Roll Pin
5	12E105	Roll Pin
6	12E106	Roll Pin
7	12E107	Control Lever
8	120E1	Handle Assembly
9	12E109	Handle Pin
10	12E110	Roll Pin
11	12E111	Handle Pressure Roller
12	12E112	Handle Pin Bushing
13	12E113-A	Control Handle Rod Assembly
14	12E114	Handle Bushing
19	12E117	Screw
20	12E153	Lock Washer
21	12E118	Handle Pivot Pin
22	12E147	Pump Piston
23	12E148	Washer
24	12E149	Handle Return Spring

Item#	Part#	Description
25 A	12E150	Wiper
26 A	12E151	U-Cup
27	120E0	New Replacement Pump Rebuild Pump Assy-Exchange
28	12E154	Retaining Ring
29	12E119	Screw Plug
30 A	12E120	Copper Washer
31	12E121	Spring
32	12E122	Damping Valve Spindle
33	12E123	Damping Valve Seat
34	12E124	Ball
35	12E146	Ball
36	12E152	Lift Piston
37 A	12E145	Wiper
38 A	12E144	O-Ring
39	12E143	Cylinder Cap
40 A	12E142	O-Ring
41 A	12E141	U-Cup
42 A	12E126	Copper Washer
43	12E127	Bolt

Item#	Part#	Description
44	12E140	Lever Plate Bolt
45	12E139	Ball, Valve
46	12E138	Ball Valve Seat
47	12E137	Spring
48	12E136	Bolt
49	12E128	Spring
50	12E129	Strike Pin
51 A	12E130	O-Ring
52	12E131	Sleeve
53 A	12E132	O-Ring
54	12E135	Lever Plate
55	12E134	Nut
56	12E133	Adjusting Screw
57	120E2	Steer Wheel Axle
58	120E3	Steer Axle Bolt
59	120E44	Steer Axle Nut
60	120E8-A-HD	Steer Wheel Assembly Red Ultra Poly on aluminum hub w/bearings
	MO 120E8-A-ST	Steer Wheel Assembly Poly on nylon hub w/bearings

Item#	Part#	Description
60	120E8N-A	Steer Wheel Assembly Nylon W/ Bearings
	120E8S-A	Steer Wheel Assembly Steel W/ Bearings
	GWK-ECO-CK	Complete Wheel Kit, Incl. 2 load rollers, 2 steer wheels w/bearings, axles and fasteners
61	120E9	Bearing
62	120E10	Locking Ring, Half Round
63	120E11	Lock Ring Cover
64	120E12	Locking Ring
65	120E13	Hub Cap
66	120E4	Thrust Bearing
67	120E5	Thrust Plate
68	120E6	Roll Pin
69	120E7	Locking Ring
70	120E41	Lube Fitting
KITS A	12E155	Seal Kit