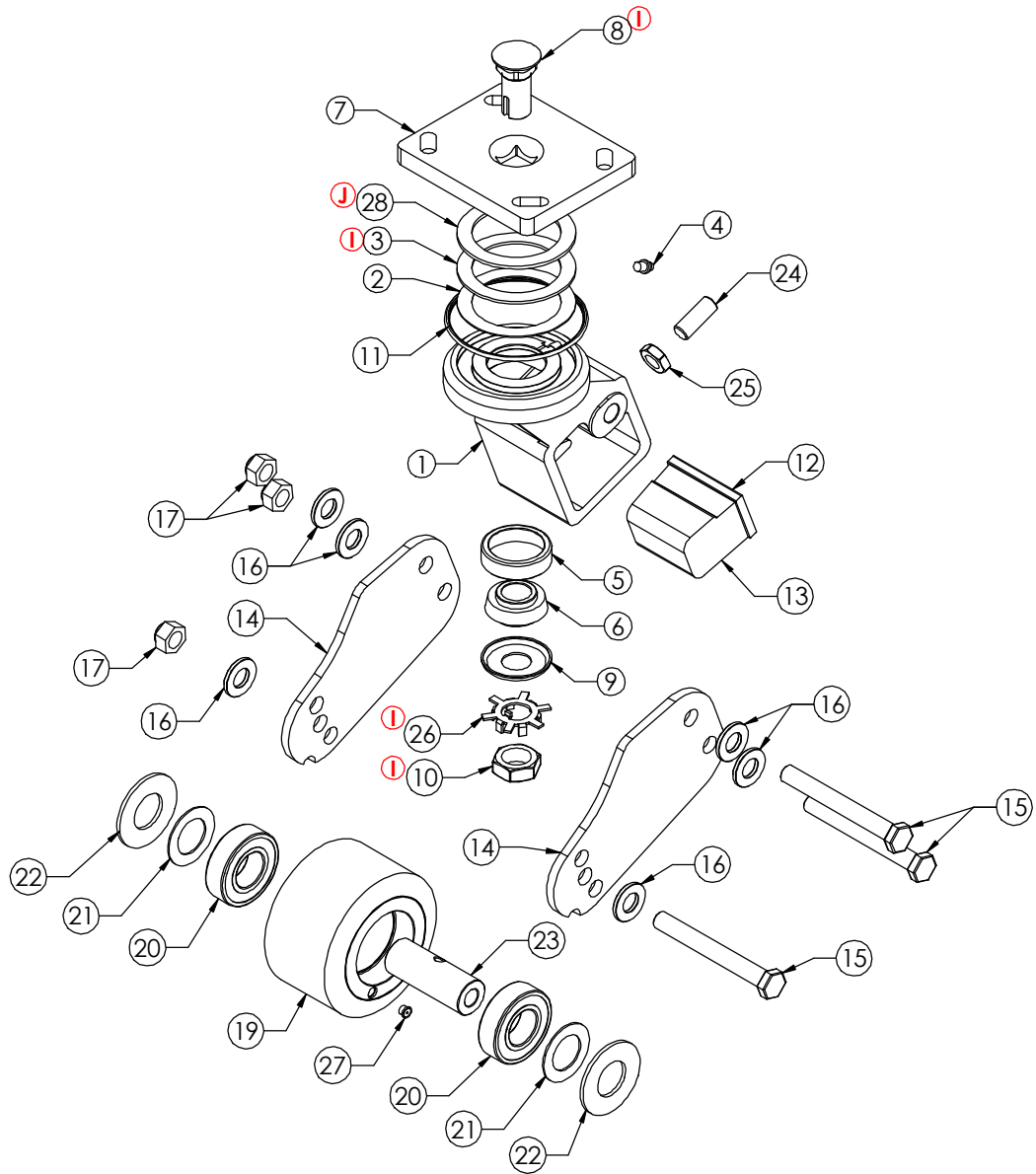
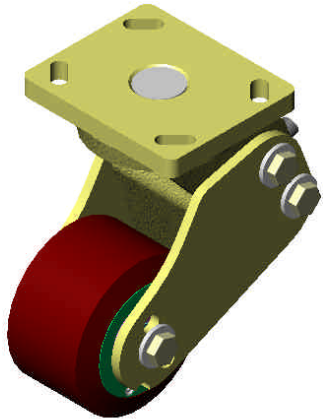


CAL. WT. 15.7 LBS.



ITEM NO.	QTY.	FILE NUMBER & DESCRIPTION	Protective Coating
1	1	STR2000-13 CAST HOUSING Rev D	YELLOW ZINC
2	J 1	94btwa3648 WASHER	
3	1	94b2250 OILITE THRUST	
4	1	94znissan ZERK	SILVER ZINC
5	1	94blm11910-tim CUP	
6	1	94blm11949 CONE	
7	1	STR2000-2 MOUNT PLATE	
8	1	94807516175pbslf SLOTTED PLOW_BOLT	BLACK OXIDE
9	1	94blm11910cap BEARING CAP	
10	1	94n2075016jh JAM NUT	SILVER ZINC
11	1	94s2-237 O-RING	
12	1	9400250-015 FLATBAR	
13	1	STR2000-9 POLY CENTER	
14	2	STR2000-1 SIDEPLATE	YELLOW ZINC
15	3	94mb12175100-1 FULL SHOULDER	YELLOW ZINC
16	6	94w2026 1-2in WASHER	SILVER ZINC
17	3	94mn12175nLhn NYLOCK NUT	SILVER ZINC
18	1	SP-0955_HUB	
19	1	SP-0955_TIRE	
20	2	94b6205-2rs BEARING	
21	2	94wstr2000-8 SPACER WASHER	
22	2	94wSTRING	
23	1	STR2000-5 BUSHING	
24	1	94mb12125030-1 SET SCREW	BLACK OXIDE
25	1	94mn12125jhn JAM NUT	SILVER ZINC
26	1	94w00750tblw TABBED LOCK WASHER	
27	1	94zSP0955 ZERK	
28	1	94btwc3648 WASHER	

CAL. WT. 15.7 LBS.