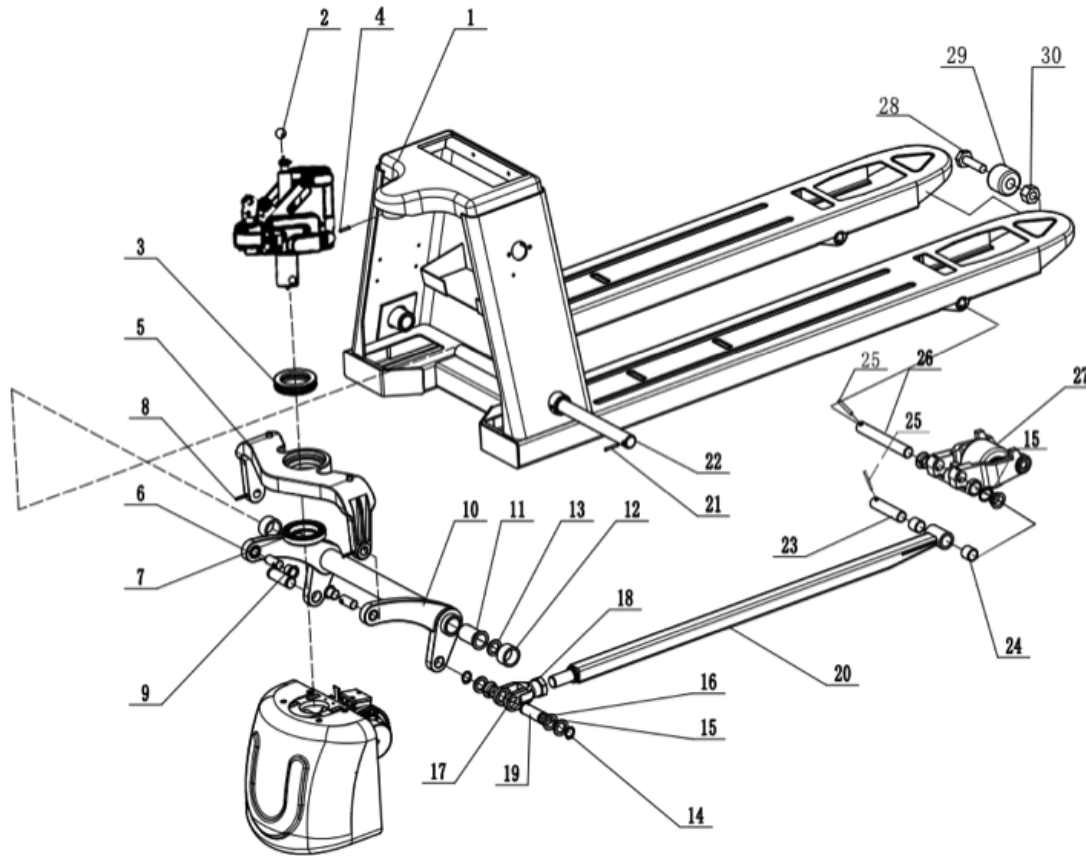


# ***ELECTRIC***

## ***PALLET JACK PARTS LIST***

***MJP-E-4400***  
*Fully-Electric Pallet Jack*



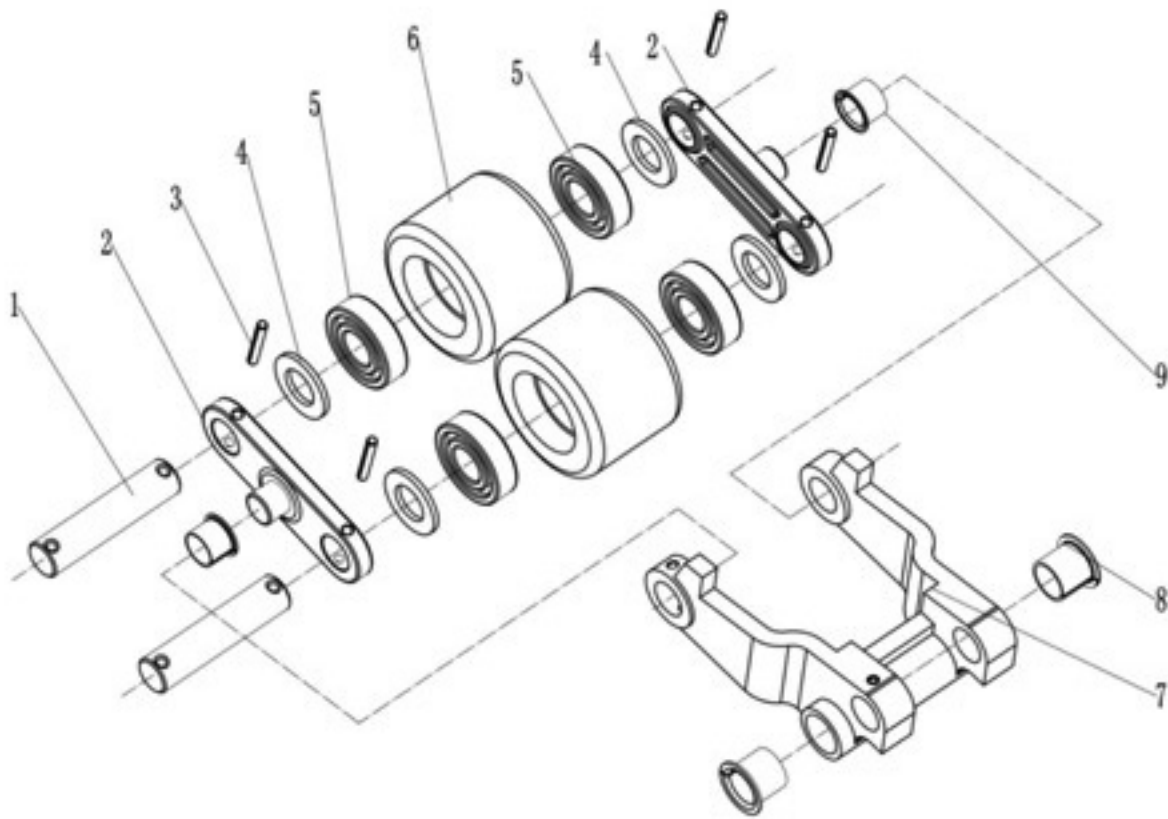


**FRAME SYSTEM**

No.	Part#	Description	Qty
1	MJP-E-10000	FRONT FRAME (540x1150mm)	1
1	MJP-E-10004	FRONT FRAME (680x1220mm)	1
2	MJP-E-10008	STEEL BALL	1
3	MJP-E-10012	BEARING	1
4	MJP-E-10016	SCREW	1
5	MJP-E-10020	REAR CHASSIS BOARD	1
6	MJP-E-10024	SHAFT	2
7	MJP-E-10028	BEARING	1
8	MJP-E-10032	PIN	2
9	MJP-E-10036	BEARING	2
10	MJP-E-10040	LOWER LINK	1
10	MJP-E-10044	LOWER LINK	1
11	MJP-E-10048	BEARING	2
12	MJP-E-10052	SPECIAL WASHER	2
13	MJP-E-10056	WASHER	2
14	MJP-E-10060	CLIP	4
15	MJP-E-10064	WASHER	4
16	MJP-E-10068	BEARING	4

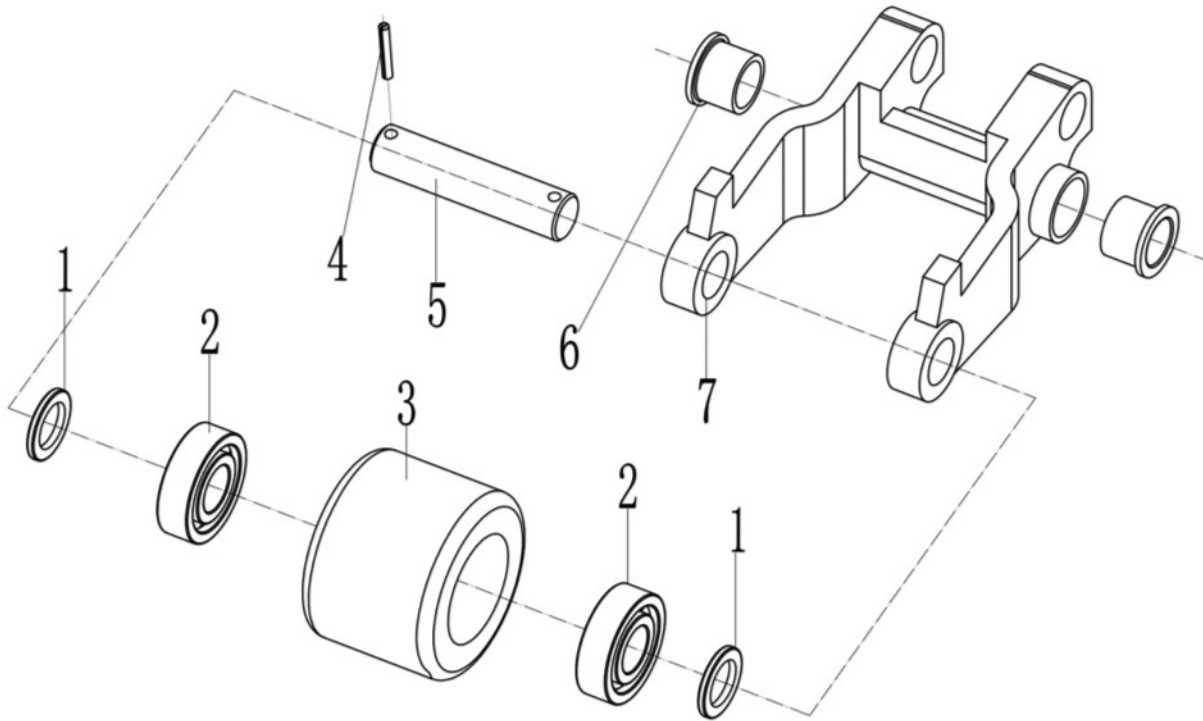
**FRAME SYSTEM**

No.	Part#	Description	Qty
17	MJP-E-10072	LONG LINK BRACKET	2
18	MJP-E-10076	NUT	2
19	MJP-E-10080	SHORT SHAFT	2
20	MJP-E-10084	LONG LINK	2
20	MJP-E-10088	LONG LINK	2
21	MJP-E-10092	PIN	1
22	MJP-E-10096 (n/a)	SUPPORT SHAFT	1
22	MJP-E-10100	SUPPORT SHAFT	1
23	MJP-E-10104	SHAFT	2
24	MJP-E-10108	BEARING	4
25	MJP-E-10112	PIN	2
26	MJP-E-10116	WHEEL BRACKET SHAFT	2
27	MJP-E-10120	DOUBLE WHEEL	2
27	MJP-E-10124	SINGLE WHEEL	2
28	MJP-E-10128	SCREW	2
29	MJP-E-10132	GUIDE WHEEL	2
30	MJP-E-10136	NUT	2



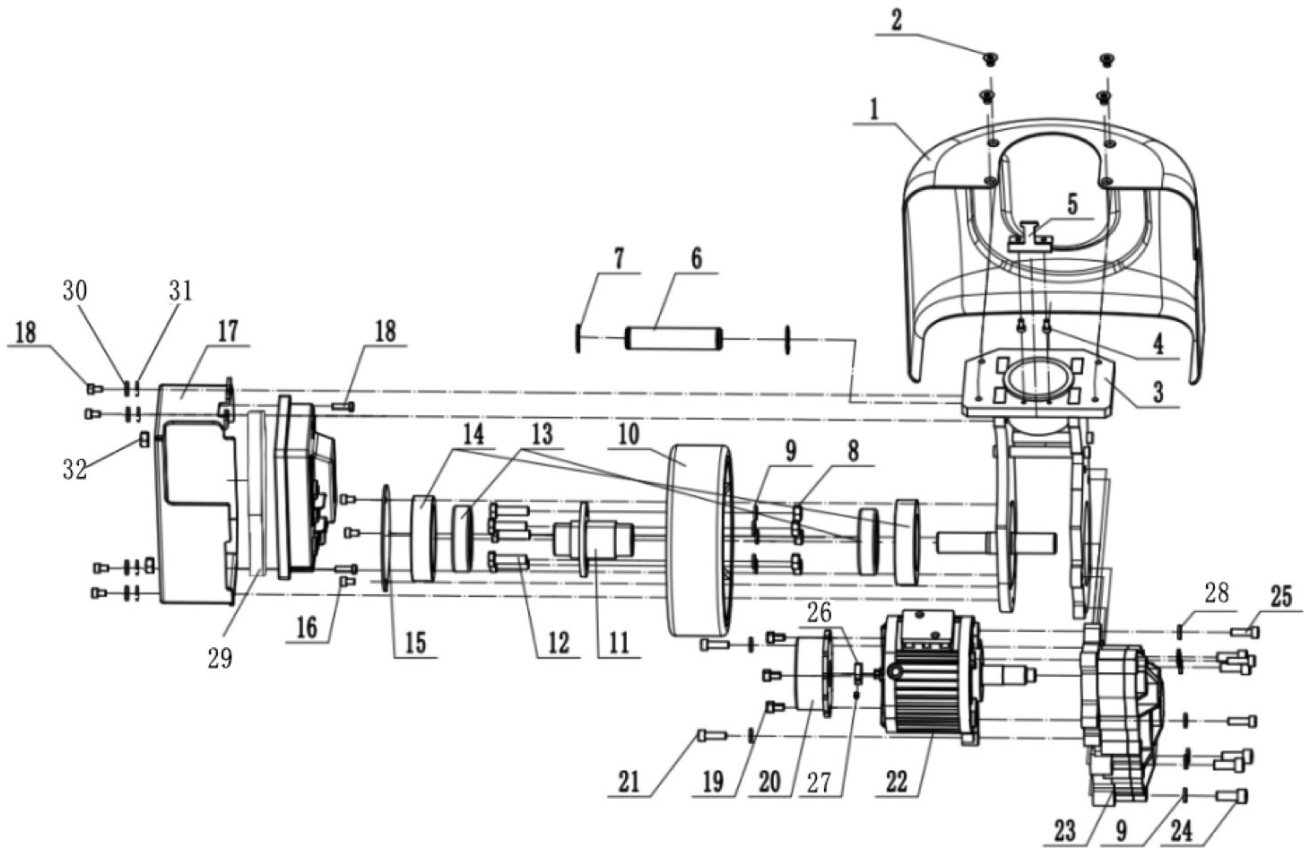
**LOAD WHEEL ASSEMBLY (Double Wheel)**

No.	Part#	Description	Qty
1	MJP-E-10140	SHAFT	4
2	MJP-E-10144	SPLINT	4
3	MJP-E-10032	PIN	8
4	MJP-E-10148	WASHER	8
5	MJP-E-10152	BEARING	8
6	MJP-E-10156 (n/a)	LOAD WHEEL	4
7	MJP-E-10160	WHEEL BRACKET	2
8	MJP-E-10164	BEARING	4
9	MJP-E-10168 (n/a)	BEARING	4



**LOAD WHEEL ASSEMBLY (Single Wheel)**

No.	Part#	Description	Qty
01	MJP-E-10148	WASHER	4
02	MJP-E-10152	BEARING	4
03	MJP-E-10172	PU WHEEL	2
04	MJP-E-10032	PIN	2
05	MJP-E-10176	SHAFT	2
06	MJP-E-10164	BEARING	4
07	MJP-E-10160	WHEEL BRACKET	2

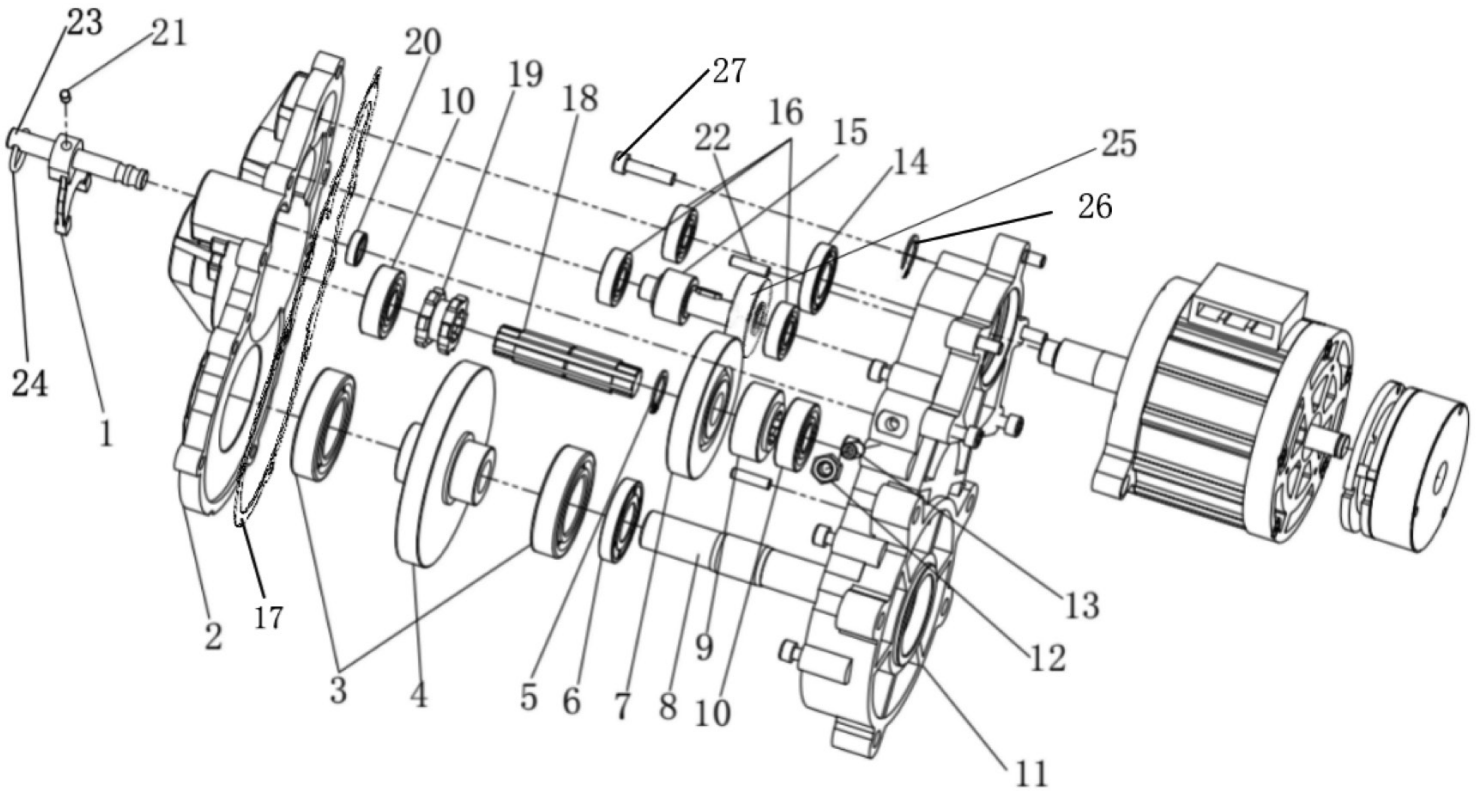


**DRIVING SYSTEM**

No.	Part#	Description	Qty
1	MJP-E-10180	DRIVE REAR COVER	1
2	MJP-E-10184	SCREW	4
3	MJP-E-10188	DRIVE FRAME	1
4	MJP-E-10192	SCREW	2
5	MJP-E-10196	HARNESS BAFFLE	1
6	MJP-E-10200	STEERING PIN	1
7	MJP-E-10060	CLIP	2
8	MJP-E-10204	NUT	5
9	MJP-E-10208	SPRING WASHER	5
10	MJP-E-10212	DRIVING WHEEL	1
11	MJP-E-10216	DRIVE WHEEL SPLINE SLEEVE	1
12	MJP-E-10220	HEXAGON HEADED BOLT	5
13	MJP-E-10224	DEEP GROOVE BALL BEARING	2
14	MJP-E-10228	DRIVE WHEEL BEARING SEAL	2
15	MJP-E-10232	BEARING PEDESTAL END COVER	1
16	MJP-E-10236	SCREW	3
17	MJP-E-10240	CONTROLLER MOUNTING PLATE	1

**DRIVING SYSTEM**

No.	Part#	Description	Qty
18	MJP-E-10244	SCREW	4
19	MJP-E-10248	SCREW	3
20	MJP-E-10252	BRAKE SYSTEM	1
21	MJP-E-10256	SCREW	2
22	MJP-E-10260	DRIVE MOTOR	1
23	MJP-E-10264	GEAR BOX	1
24	MJP-E-10268	SCREW	5
25	MJP-E-10272	SCREW	3
26	MJP-E-10276	HEXAGONAL BRAKE PADS	1
27	MJP-E-10280	SCREW	1
28	MJP-E-10284	SPRING WASHER	5
29	MJP-E-10288	FIREPROOF PAD	1
30	MJP-E-10292	WASHER	4
31	MJP-E-10296	SPRING WASHER	4
32	MJP-E-10300	NUT	2



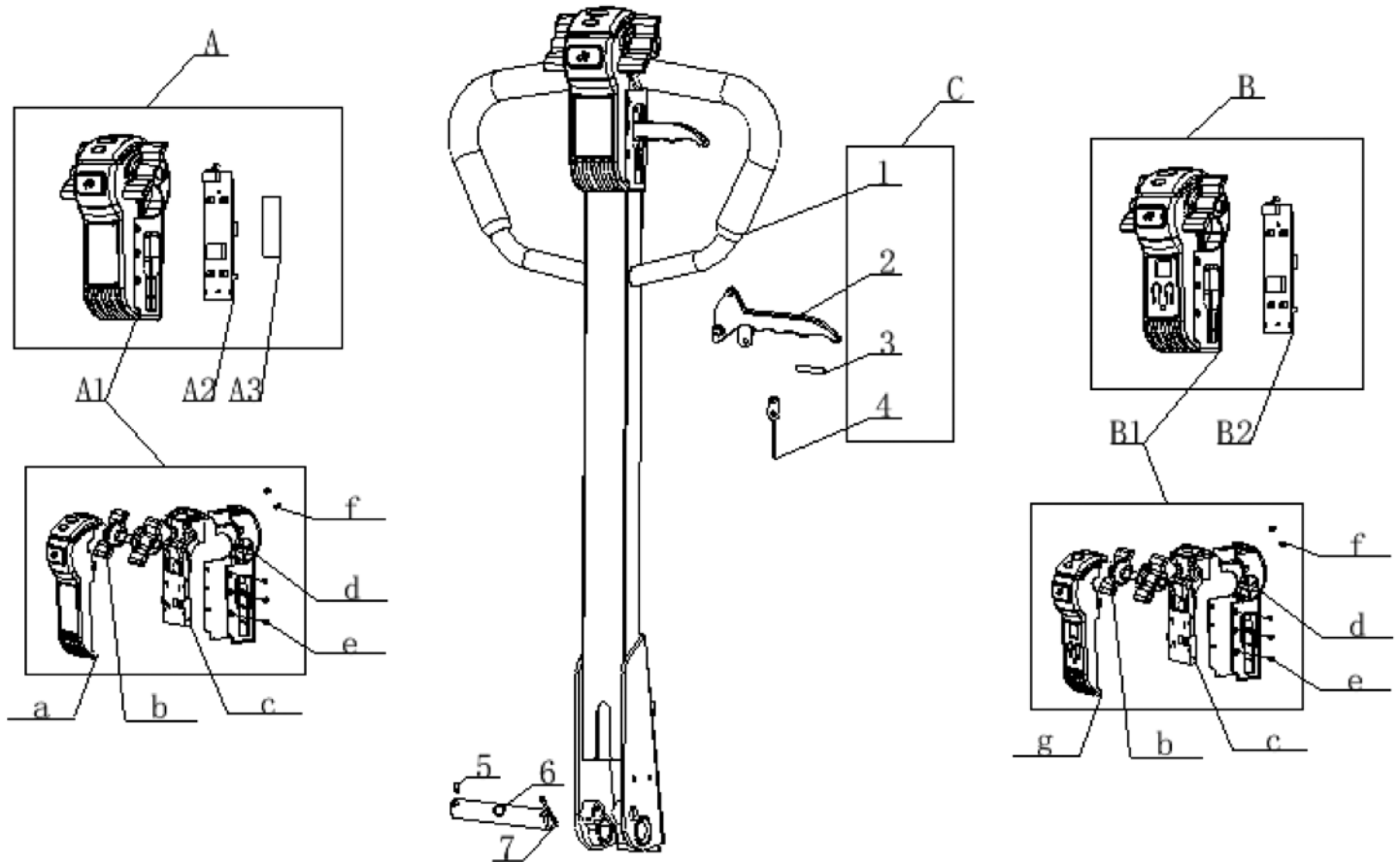
**DRIVING ASSEMBLY**

No.	Part#	Description	Qty
1	MJP-E-10304	FORK	1
2	MJP-E-10308	GEARBOX COVER	1
3	MJP-E-10312	BEARING	2
4	MJP-E-10316	FIFTH GEAR	1
5	MJP-E-10320	CLIP	1
6	MJP-E-10324	FRAMEWORK OIL SEAL	1
7	MJP-E-10328	THIRD GEAR	1
8	MJP-E-10332	TRANSMISSION SHAFT	1
9	MJP-E-10336	FOURTH STAGE GEAR	1
10	MJP-E-10340	BEARING	2
11	MJP-E-10344	REDUCER BOX	1
12	MJP-E-10204	NUT	1
13	MJP-E-10348	STEEL BALL JACK SCREW	1
14	MJP-E-10352	FRAMEWORK OIL SEAL	1
15	MJP-E-10356	SECONDARY GEAR SHAFT	1
16	MJP-E-10360	BEARING	3
17	MJP-E-10364	GEARBOX GASKET	1

**DRIVING ASSEMBLY**

No.	Part#	Description	Qty
18	MJP-E-10368	SPLINE SHAFT	1
19	MJP-E-10372	CLUTCH SPLINE SLEEVE	1
20	MJP-E-10376	FRAMEWORK OIL SEAL	1
21	MJP-E-10380	SCREW	1
22	MJP-E-10384	STRAIGHT PIN	2
23	MJP-E-10388	FORK LEVER	1
24	MJP-E-10392	RING	1
25	MJP-E-10396	FIRST GEAR	1
26	MJP-E-10400	KEY	2
27	MJP-E-10272	SCREW	9



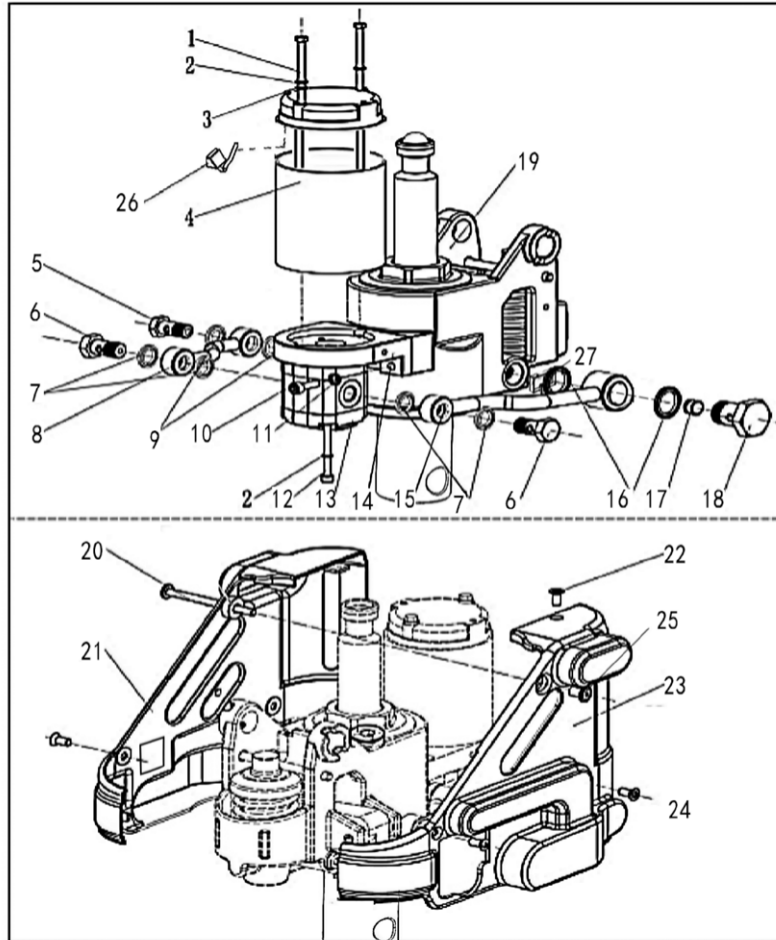


**STEERING CONTROL SYSTEM**

No.	Part#	Description	Qty
1	MJP-E-10464	HANDLE BAR	1
2	MJP-E-10468	PRESSURE RELEASE LEVER	1
3	MJP-E-10472	PIN	1
4	MJP-E-10476	LINK CHAIN ASSEMBLY	1
5	MJP-E-10480	PIN	1
6	MJP-E-10484	PIN SHAFT	1
7	MJP-E-10488	R SHAPE PIN	1
A	MJP-E-10404	HANDLE ASS. W/BOARD	1
A1	MJP-E-10416	HANDLE ASS. (W/LIFT BUTTON)	6
A2	MJP-E-10408	BOARD (48V-CAN I-TCH VERSION)	2
A3	MJP-E-10412	TOUCHING SCREEN	1
Aa	MJP-E-10420	TOUCH SCREEN HANDLE FRT-COVER	1
Ab	MJP-E-10424	MAGNETIC STEEL SHAFT & KNOB ASS.	1
Ac	MJP-E-10428	REAR COVER	1
Ad	MJP-E-10432	HANDLE RETAINER (W/ LIFT BUTTON)	1
Ae	MJP-E-10436	SCREW	1

**STEERING CONTROL SYSTEM**

No.	Part#	Description	Qty
Af	MJP-E-10440	SCREW	1
B	MJP-E-10444	HANDLE ASSEMBLY WITH BOARD	6
b1	MJP-E-10452	HANDLE ASSEMBLY (W?LIFT BUTTON)	2
b2	MJP-E-10448	BOARD (48V-CAN NOT I-TCH VERSION)	1
Bb	MJP-E-10424	MAGNETIC STEEL SHAFT & KNOB ASS.	1
Bc	MJP-E-10428	REAR COVER	1
Bd	MJP-E-10432	HANDLE RETAINER (WITH LIFT BUTTON)	1
Be	MJP-E-10436	SCREW	1
Bf	MJP-E-10440	SCREW	1
Bg	MJP-E-10456	FRONT COVER & BELLY SWITCH ASS.	1
C	MJP-E-10460	HANDLE BAR ASSEMBLY	1



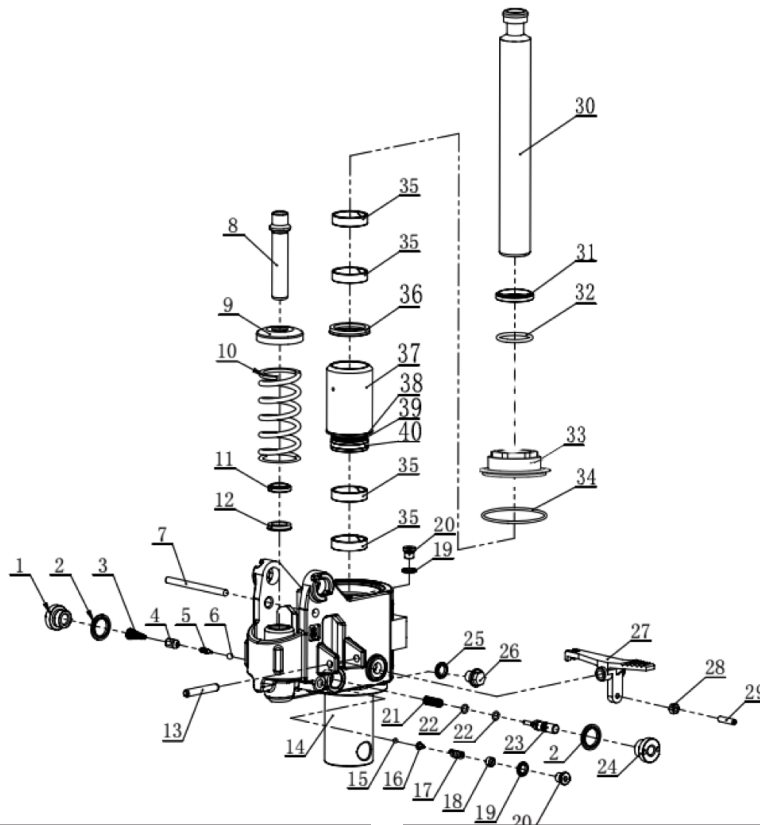
**HYDRAULIC SYSTEM**

No.	Part#	Description	Qty
1	MJP-E-10492	SCREW	2
2	MJP-E-10296	SPRING WASHER	4
3	MJP-E-10292	WASHER	2
4	MJP-E-10496	LIFTING MOTOR (48V650W)	1
5	MJP-E-10500	OILING BOLT	1
6	MJP-E-10504	OILING BOLT	2
7	MJP-E-10508	COMBINATION SEAL	4
8	MJP-E-10512	STEEL OIL PIPE (SHORT)	1
9	MJP-E-10516	COMBINATION SEAL	2
10	MJP-E-10256	SCREW	2
11	MJP-E-10284	SPRING WASHER	2
12	MJP-E-10520	SCREW	2
13	MJP-E-10524	GEAR PUMP	1
14	MJP-E-10528	MOTOR MOUNTING PLATE	1
15	MJP-E-10532	TUBE	1
16	MJP-E-10536	COMBINATION SEAL	2

**HYDRAULIC SYSTEM**

No.	Part#	Description	Qty
17	MJP-E-10540	CHECK VALVE	1
18	MJP-E-10544	OIL BOLT	1
19	MJP-E-10548	LIFT CYLINDER	1
20	MJP-E-10552	LOCK BOLT	1
21	MJP-E-10556	OUTER COVER (LEFT)	1
22	MJP-E-10560	SCREW	1
23	MJP-E-10564	OUTER COVER (RIGHT)	1
24	MJP-E-10568	SCREW	4
25	MJP-E-10572	LOCK BOLT	1
26	MJP-E-10576	CARBON BRUSH	4
27	MJP-E-10580	STRAINER	1



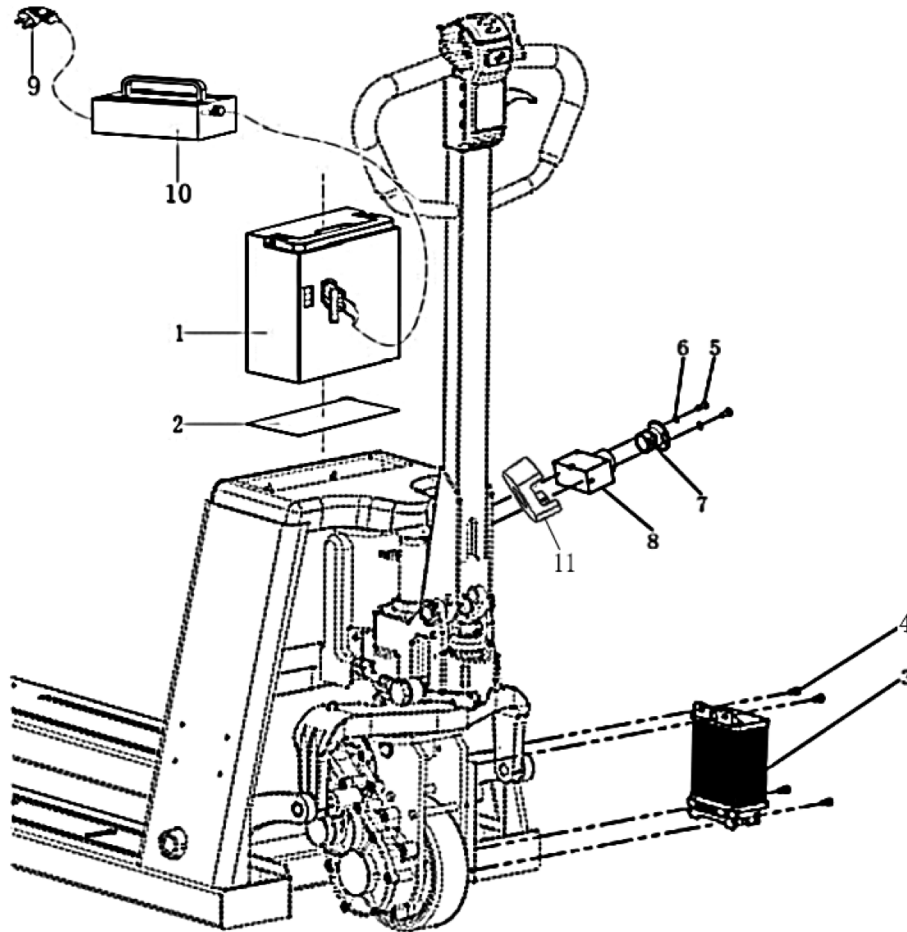


**HYDRAULIC SYSTEM**

No.	Part#	Description	Qty
1	MJP-E-10584	SCREW PLUG	1
2	MJP-E-10588	COMBINATION PAD	2
3	MJP-E-10592	PAGODA SPRING	1
4	MJP-E-10596	VALVE BODY	1
5	MJP-E-10600	VALVE CORE	1
6	MJP-E-10604	STEEL BALL	1
7	MJP-E-10608	PROCESS BAR	1
8	MJP-E-10612	SMALL PUMP CORE	1
9	MJP-E-10616	SPRING COVER	1
10	MJP-E-10620	LARGE SPRING	1
11	MJP-E-10624	DUSTPROOF RING	1
12	MJP-E-10628	SEALING RING	1
13	MJP-E-10632	ELASTIC PIN	1
14	MJP-E-10636	PUMP HOUSING	1
15	MJP-E-10640	STEEL BALL	1
16	MJP-E-10644	STEEL BALL PAD	1
17	MJP-E-10648	PRESSURE REGULATING VALVE SPRING 1	1
18	MJP-E-10652	ADJUSTING SCREW	1
19	MJP-E-10656	COMBINATION SEAL	2
20	MJP-E-10660	SCREW PLUG	2

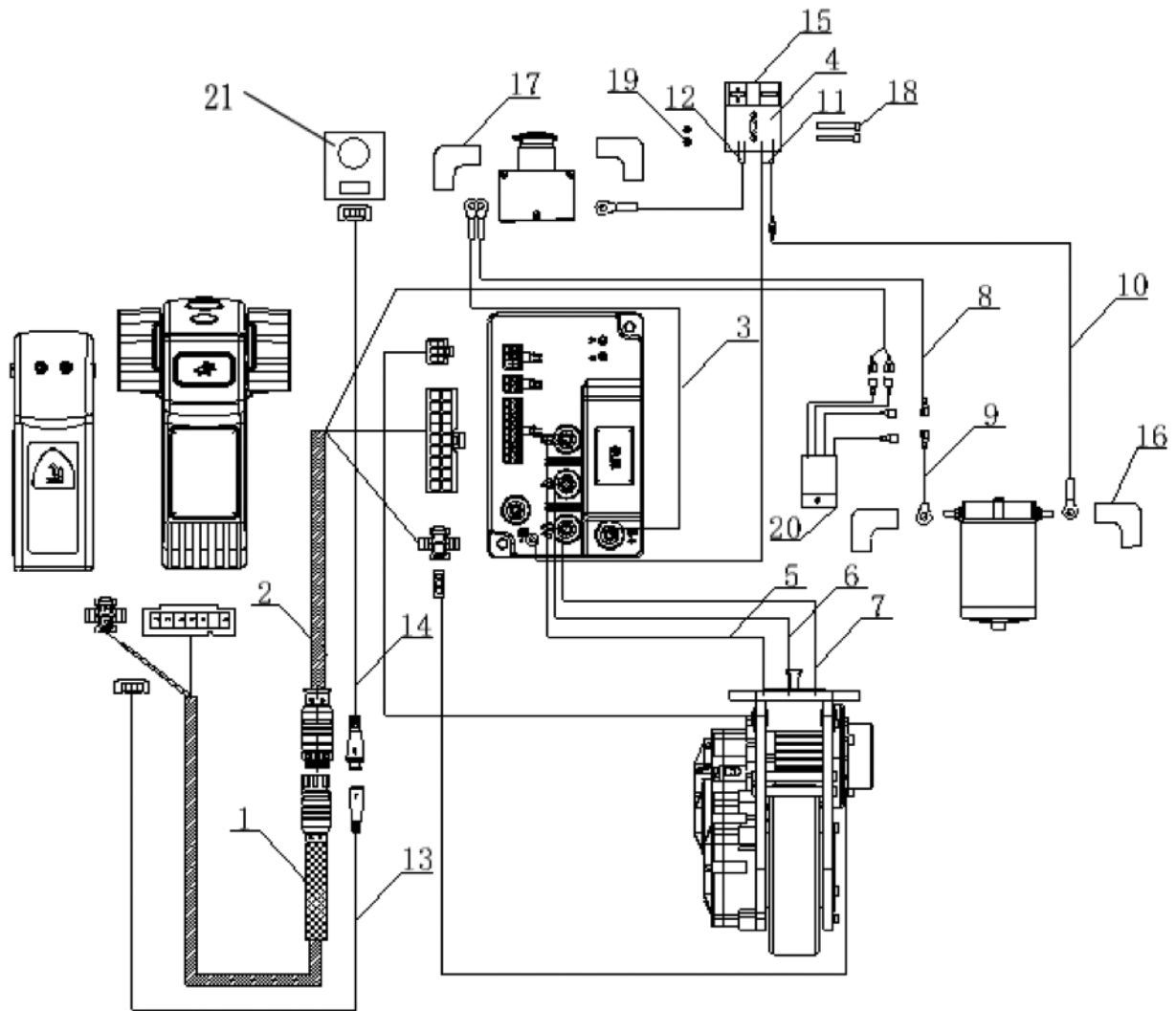
**HYDRAULIC SYSTEM**

No.	Part#	Description	Qty
21	MJP-E-10664	STRIKER SPRING	1
22	MJP-E-10668	O-RING	2
23	MJP-E-10672	STRIKER	1
24	MJP-E-10676	STRIKER SEAT	1
25	MJP-E-10680	COMBINATION PAD	1
26	MJP-E-10684	SCREW PLUG	1
27	MJP-E-10688	LEVER PLATE	1
28	MJP-E-10692	NUT	1
29	MJP-E-10696	SCREW	1
30	MJP-E-10700	PISTON ROD	1
31	MJP-E-10704	ANTI-DUST RING	1
32	MJP-E-10708	O RING	1
33	MJP-E-10712	HEXAGON SLIDING SLEEVE	1
34	MJP-E-10716	O RING	1
35	MJP-E-10720	WEAR RING	4
36	MJP-E-10724	Y RING	1
37	MJP-E-10728	FIXED SLEEVE	1
38	MJP-E-10732	COMBO WASHER	1
39	MJP-E-10736	DUMBBELL RING	1
40	MJP-E-10740	WEAR RING	1



### STEERING CONTROL SYSTEM

No.	Part#	Description	Qty
1	MJP-E-10744	LI-BATTERY 48V10AH (SAME SIZE)	1
1	MJP-E-10748	LI-BATTERY 48V15AH (SAME SIZE)	1
1	MJP-E-10752	LI-BATTERY 48V20AH (SAME SIZE)	1
2	MJP-E-10756	BATTERY STICKER	1
3	MJP-E-10760	CONTROLLE 48V	1
4	MJP-E-10764	SCREW	4
5	MJP-E-10768	SCREW	2
6	MJP-E-10296	SPRING WASHER	2
7	MJP-E-10772	EMERGENCY STOP SWITCH KEY	1
8	MJP-E-10776	EMERGENCY STOP SWITCH	1
9	MJP-E-10780	CHARGER CORD (AMERICAN STD.)	1
10	MJP-E-10784	CHARGER (48V/5A)	1
10	MJP-E-10788	CHARGER 48V 5A (UL.CE )	1
11	MJP-E-10792	EMERGENCY STOP SWITCH COVER	1



**ELECTRICAL SYSTEM**

No.	Part#	Description	Qty
01	MJP-E-10796	HANDLE WIRE HARNESS	1
02	MJP-E-10800	MAIN WIRE HARNESS	1
03	MJP-E-10804	EMERG. STOP SWITCH TO CONTROLLER B+	1
04	MJP-E-10808	BATTERY WIRE	1
05	MJP-E-10812	CONTROLLER TO MOTOR W	1
06	MJP-E-10816	CONTROLLER TO MOTOR V	1
07	MJP-E-10820	CONTROLLER TO MOTOR U	1
08	MJP-E-10824	LIFT MOTOR B+	1
09	MJP-E-10828	EMERGENCY STOP SWITCH TO CONTACTOR	1
10	MJP-E-10832	LIFT MOTOR B-	1
11	MJP-E-10836	BATTERY WIRE NEGATIVE	1

**ELECTRICAL SYSTEM**

No.	Part#	Description	Qty
12	MJP-E-10840	BATTERY WIRE POSITIVE	1
13	MJP-E-10844	WEIGHT WEIGHT WIRE TO HANDLE	1
14	MJP-E-10848	WEIGHT MODULE WIRE	1
15	MJP-E-10852	ANDERSON CONNECTOR RED	1
16	MJP-E-10856	SHEATH (BLACK)	1
17	MJP-E-10860	SHEATH (RED)	3
18	MJP-E-10864	SCREW	2
19	MJP-E-10868	NUT	2
20	MJP-E-10872	CONTACTOR (48V/80A)	1
21	MJP-E-10876	WEIGHT MODULE	1