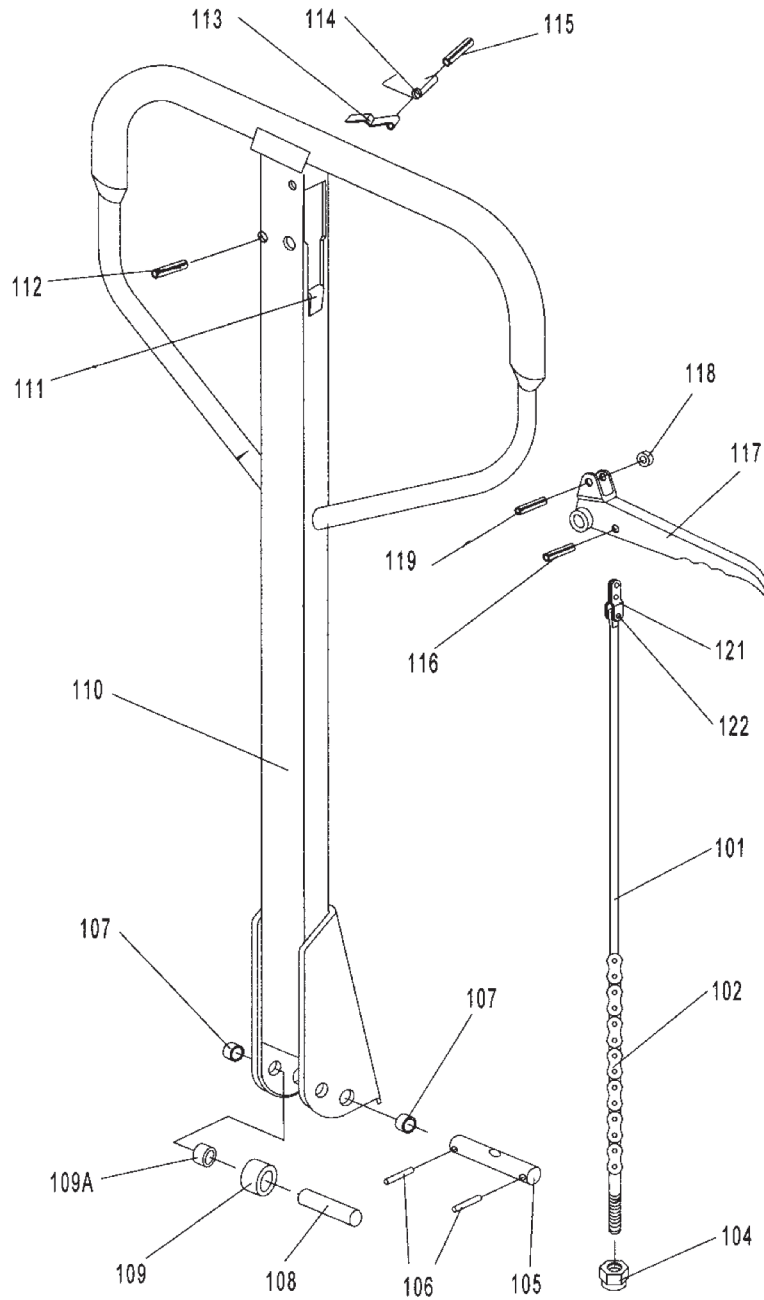


# MJP PALLET JACK PARTS

## MJP20-5500, MJP36-5500& MJP-5500 Draw Bar

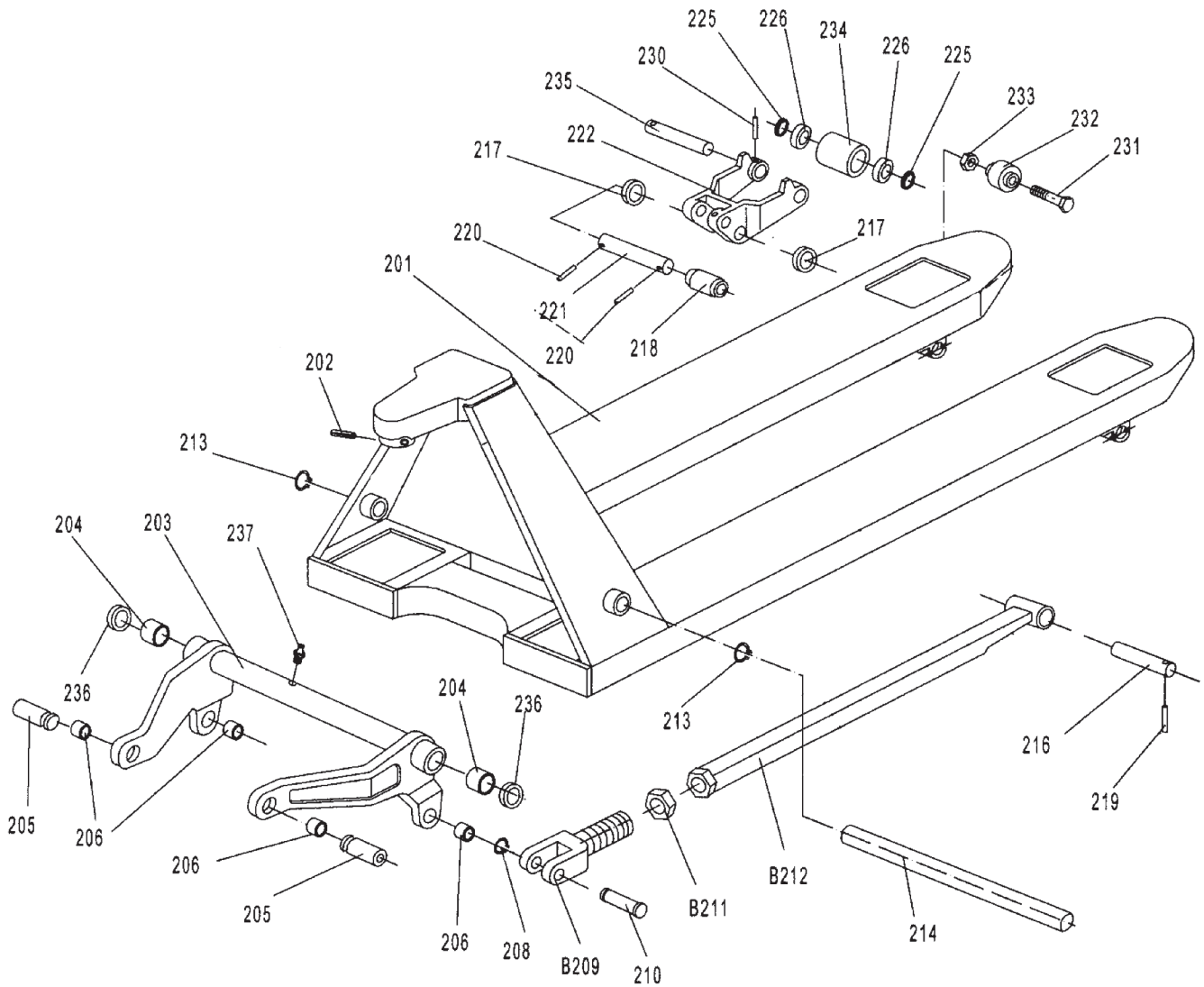


## MJP20-5500, MJP36-5500& MJP-5500 Draw Bar

Item#	HELMAR#	Description	Quantity	Item#	HELMAR#	Description	Quantity
101	X101-MJP	Release Rod	1	112	X112-MJP	Elastic Pin	1
102	X102-MJP	Chain	1	113	X113-MJP	Blade Spring	1
104	X104-MJP	Adjusting Nut	1	114	X114-MJP	Spring	1
105	X105-MJP	Axle with Hole	1	115	X115-MJP	Elastic Pin	1
106	X106-MJP	Elastic Pin	2	116	X116-MJP	Elastic Pin	1
107	X107-MJP	Bushing	2	117	X117-MJP	Control Handle	1
108	X108-MJP	Roller Pin	1	118	X118-MJP	Roller	1
109	X109-MJP	Pressure Roller	1	119	X119-MJP	Elastic Pin	1
109A	X109A-MJP	Bushing	1	121	X121-MJP	Pull Board	1
110	X110-MJP	Draw-bar	1	122	X122-MJP	Pin	1
111	X111-MJP	Stop Rubber	1				

# MJP PALLET JACK PARTS

## MJP20-5500, MJP36-5500 & MJP-5500 Frame

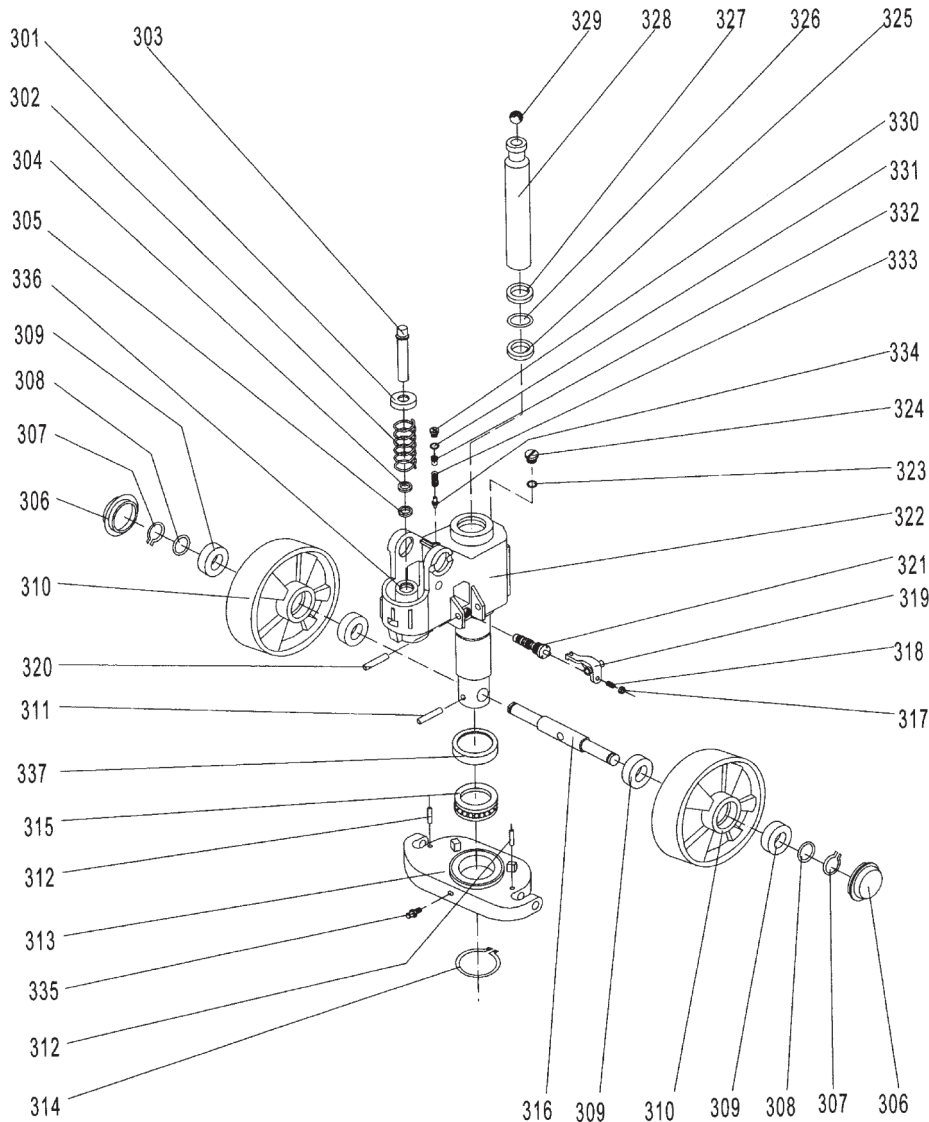


## MJP20-5500, MJP36-5500 & MJP-5500 Frame

Item#	HELMAR#	Description	Quantity
201	X201-MJP	Fork Frame	1
202	X202-MJP	Elastic Pin	1
203	X203-MJP	Rock - Arm	1
204	X204-MJP	Bushing	2
205	X205-MJP	Shaft	2
206	X206-MJP	Bushing	2
207	X207-MJP	Bushing	2
208	X208-MJP	Retaining Ring	2
210	X210-MJP	Pin	2
B209	XB209-MJP	Joint	2
B211	XB211-MJP	Nut	2
B212	XB212-MJP	Pushing Rod	2
213	X213-MJP	Retaining Ring	2
214	X214-MJP	Shaft	1
215	X215-MJP	Bushing	4
216	X216-MJP	Shaft	2
217	X217-MJP	Intermediate Roller	4
218	X218-MJP	Extending Roller	2
219	X219-MJP	Elastic Pin	2
220	X220-MJP	Elastic Pin	4
221	X221-MJP	Shaft	2
222	X222-MJP	Frame of Roller	2
225	X225-MJP	Washer	8 or 4
226	X226-MJP	Bearing	8 or 4
230	X230-MJP	Elastic Pin	8 or 2
231	X231-MJP	Bolt	2
232	X232-MJP	Enter Roller	2
233	X233-MJP	Locking Nut	2
234	X234-MJP	Loading Roller	2
235	X235-MJP	Shaft of Roller	2
236	X236-MJP	Washer	2
237	X237-MJP	Grease Cup	1

# MJP PALLET JACK PARTS

## MJP20-5500, MJP36-5500 & MJP-5500 Hydraulic Pump



## MJP20-5500, MJP36-5500 & MJP-5500 Hydraulic Pump

Item#	HELMAR#	Description	Quantity	Item#	HELMAR#	Description	Quantity
301	X301-MJP	Spring Cap	1	320	X320-MJP	Elastic Pin	1
302	X302-MJP	Spring	1	321	X321-MJP	Valve Cartridge	1
303	X303-MJP	Pump Piston	1	322	X322-MJP	Pump Body	1
304	X304-MJP	Dust Ring	1	323	X323-MJP	Seal Washer	1
305	X305-MJP	Seal	1	324	X324-MJP	Screw Plug	1
306	X306-MJP	Dust Cover	2	325	X325-MJP	Seal	1
307	X307-MJP	Locking Ring	2	326	X326-MJP	O - Ring	1
308	X308-MJP	Washer	2	327	X327-MJP	Dust Ring	1
309	X309-MJP	Bearing	4	328	X328-MJP	Piston Rod	1
310	X310-MJP	Loading Wheel	2	329	X329-MJP	Steel Ball	1
311	X311-MJP	Elastic Pin	1	330	X330-MJP	Screw Plug	1
312	X312-MJP	Elastic Pin	2	331	X331-MJP	O - Ring	1
313	X313-MJP	Thrust Plate	1	332	X332-MJP	Bolt	1
314	X314-MJP	Retaining Ring	1	333	X333-MJP	Spring	1
315	X315-MJP	Bearing	1	334	X334-MJP	Spindle of Safety Valve	1
316	X316-MJP	Shaft of loading Wheel	1	335	X335-MJP	Grease Cup	1
317	X317-MJP	Nut	1	336	X336-MJP	Cylinder	1
318	X318-MJP	Screw	1	337	X337-MJP	Cover of Bearing	1
319	X319-MJP	Lever Plate	1				